

OVERHEAD LOUVER | ACCESSORY

FEATURES

- ▶ Natural sound transmission
- ▶ Allows air flow-does not restrict heating and cooling systems
- ▶ Resists and discourages attempts to leap over a barrier
- ▶ Fabricated ready for installation

PRODUCT DESCRIPTION

TSS louvers are designed to extend the height of bullet resistant systems at a reduced cost, resisting attempts to breach barrier security by jumping over the system.

AVAILABLE SIZES

Louvers are custom designed and manufactured for each individual application. Sizes commonly range up to a three-foot height above the barrier.

SPECIFICATIONS

A. USES

Louvers are recommended as components of bullet resistant barriers where the ceiling is significantly higher than the top of the barrier. They are not bullet resistant, but resist attempts to leap over the barrier and allow airflow where heating and cooling systems may otherwise be restricted by the existence of a solid barrier.

B. LIMITATIONS

Louvers are designed to deter attempts to breach the security of a bullet resistant barrier. They do not have the forced entry or bullet resistant glazing of the systems they accompany. It is recommended that each end user determine their ballistic and forced entry threat and acquire the correct product to meet that threat.

C. SPECIFICATION

1/2" thick acrylics fabricated into an alternating 1/2" slot pattern.

HANDLING INFORMATION

Handling: Care should be exercised during shipping and handling to maintain louver appearance.

Storage: Store upright in a dry, well ventilated building or shelter. Do not stack crates. Do not store in damp areas or freshly plastered buildings. Place unit on wood blocks at least 2" high to prevent moisture damage.

Installation: Remove protective masking just prior to installation. Do not install in areas where additional construction is required keep away from construction debris and dust.

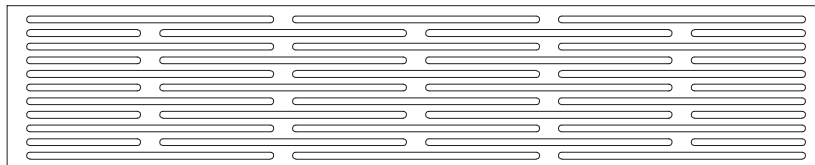
Cleaning: You must clean the glazing unit during and after the construction period to maintain optimum performance and aesthetic properties. To clean, use a soft, clean cloth and a mild soap, detergent, or slightly acidic cleaning solution (such as vinegar). Wipe with a clean, lint-free cloth.

TECHNICAL SUPPORT

TSS maintains a full staff of professional and experienced sales representatives, project estimators, engineers, draftsmen, craftsmen and installers ready to assist in all phases of the bullet resistant project from initial design through installation. Consult our sales department or your local representative for assistance with all your bullet-resistant needs at 1.517.223.7807.

LIMITED WARRANTY

TSS offers a twelve month limited warranty. This warranty does not cover damage caused by neglect, abuse, vandalism, improper maintenance, accident or any other cause beyond the suppliers control not arising out of defects in material or workmanship. The warranties stated replace and exclude all other warranties. The warranty is limited to replacing products that fail to meet specification, or are defective in quality or workmanship at the time of delivery. TSS will not be responsible for (re)installation expenses or any direct or indirect loss(es) which may result from a defective product. TSS reserves the right to field inspect any product alleged to be defective. The buyer is responsible for any consequences resulting from product use.



Project Name:

LOUVER AND CLIPS

TYPICAL DETAILS

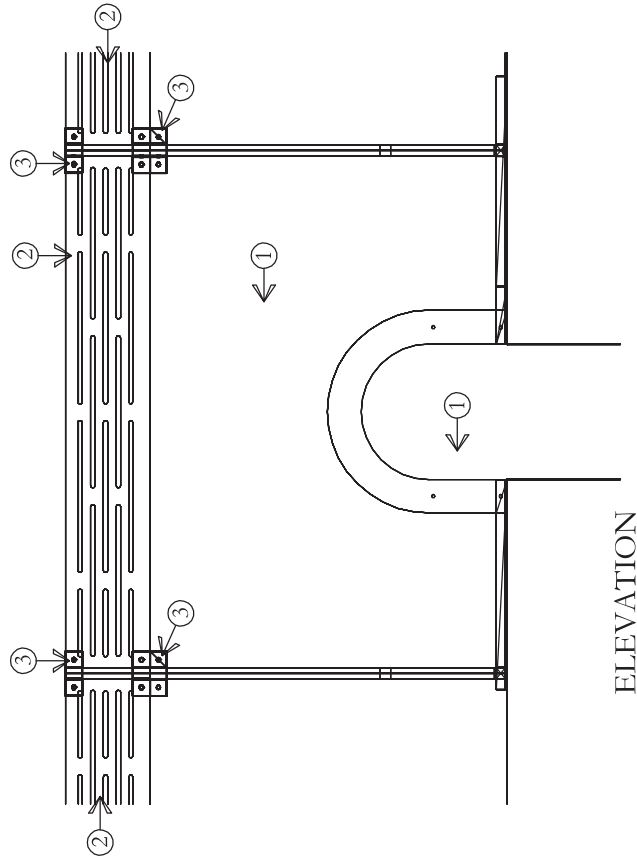
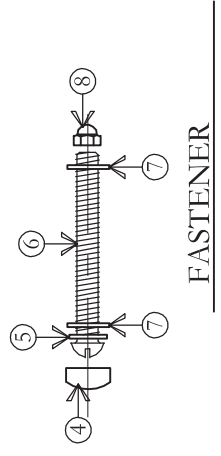
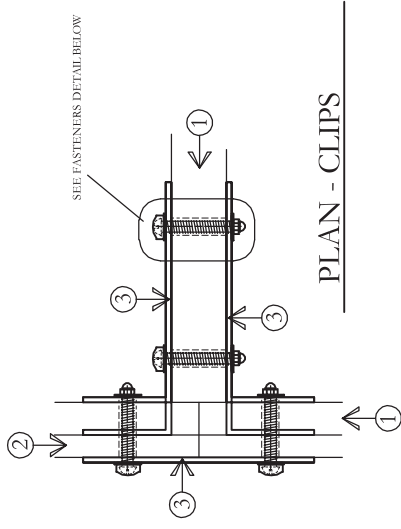
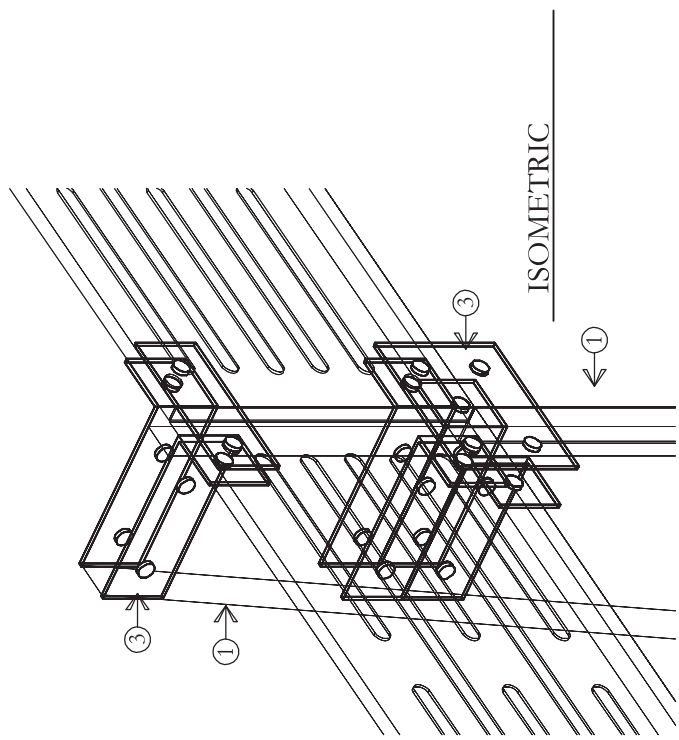
Total Security Solutions
170 National Park
Fowlerville, MI 48836

Issue Date:
Revisions:
Date:
Description:

These drawings and all information herein are the confidential property of TOTAL SECURITY SOLUTIONS. Any use or reproduction of these drawings for any purpose, except by written permission of TOTAL SECURITY SOLUTIONS, is prohibited.
Project Number: 09mm 04-1
Drawn By: BDF
Checked By:
Sheet Title: TOTAL SECURITY SOLUTIONS

Sheet Number:

A1



ELEVATION

- DRAWING NOTES:**
1. BULLET RESISTANT ACRYLIC OR ACRYLIC/POLYCARBONATE COMPOSITE. AVAILABLE IN PROTECTION LEVELS 1,2,3.
 2. 1/2" ACRYLIC, WITH CNC ROUTED SLOTS TO ALLOW ADDITIONAL AIR FLOW AND SOUND TRANSMISSION.
 3. 1/8" POLYCARBONATE CLIPS, SHAPED AND DRILLED TO MEET CONNECTION CONSTRAINTS.
 4. DECORATIVE PLASTIC CAP FOR A FINISHED APPEARANCE.
 5. PLASTIC CAP RECEPTICAL.
 6. 1/4"-20 BOLT, LENGTH VARIES TO MATCH THE PROTECTION LEVEL.
 7. ACRYLIC WASHER.
 8. ACORN NUT.

