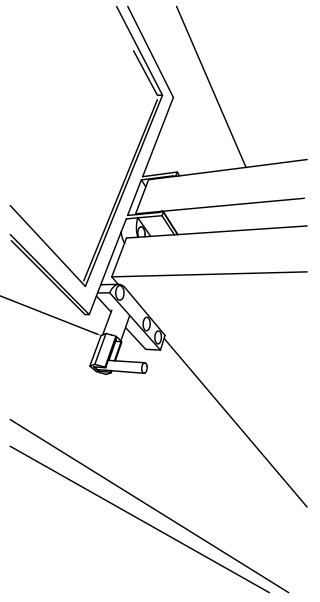
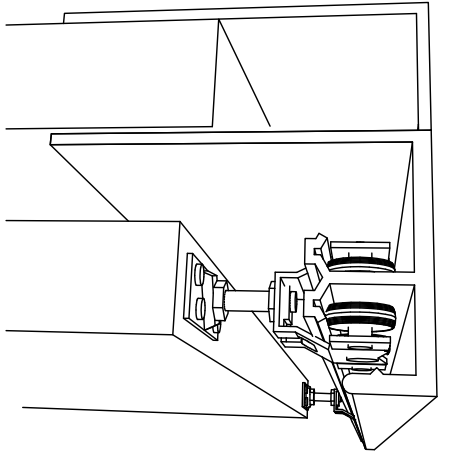


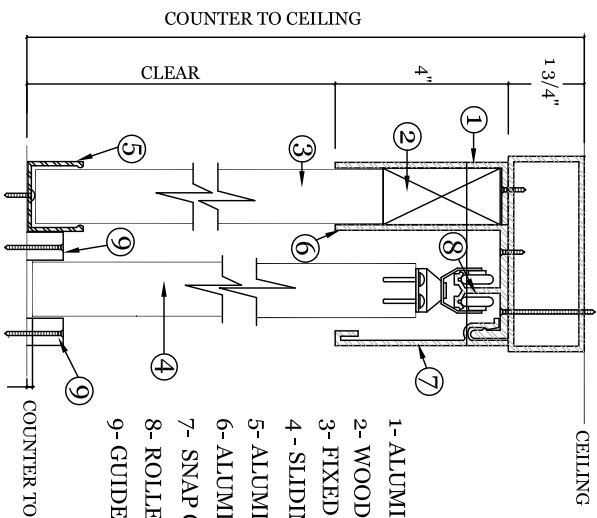
PLUNGER LOCK (TYPICAL)



PLUNGER LOCK (TYP)



ROLLER ATTACHMENT (TYP)



- 1- ALUMINUM ANGLE
- 2- WOOD BLOCKING
- 3- FIXED PANEL ACRYLIC
- 4 - SLIDING PANEL ACRYLIC
- 5- ALUMINUM "U" CHANNEL
- 6- ALUMINUM TRACK
- 7- SNAP ON VALANCE
- 8- ROLLER ASSEMBLY
- 9- GUIDE BLOCKS

PLUNGER LOCK (TYP)

**Total Security Solutions**  
 170 National Park Drive  
 Fowlerville, Michigan 48836  
 517.223.7807 Fax: 517.223.0805

TRACKS, ROLLERS, AND PLUNGER LOCKS  
 TYPICAL DETAILS

Project Name:

These drawings and all information hereon are of a confidential nature and remain the property of TOTAL SECURITY SOLUTIONS. Any use or reproduction of these drawings for any purpose, except by written permission of TOTAL SECURITY SOLUTIONS is strictly prohibited.

Drawn By:

Checked By:

Sheet Title:

ELEVATIONS

Sheet Number:

AI