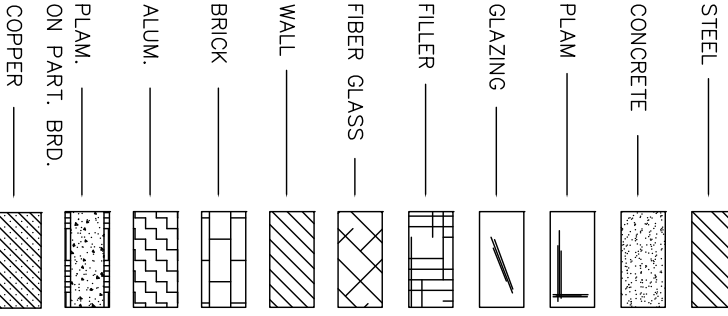
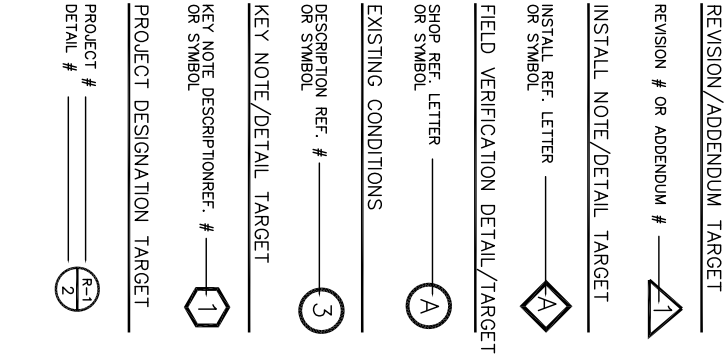
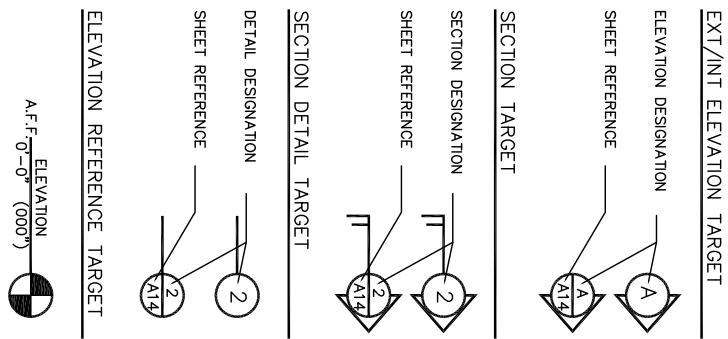


No.	DESCRIPTION (KEY NOTE)	No.	
①	ALUM. WALL SECTION B.R. GLAZING CHANNEL	⑨	COUNTER TOP
②	ALUM. VERTICAL CHANNEL	⑩	TYPICAL WALL
③	ALUM. B.R. WINDOW CHANNEL	⑪	KNEE WALL
④	BULLET RESISTANT GLAZING (WALL SECTION)	⑫	ALUM. B.R. BAFFLE CHANNEL
⑤	ST. STL. CASH TRAY	⑬	BULLET RESISTANT GLAZING (WINDOW)
⑥	#10 x 1" PHP	⑭	BULLET RESISTANT GLAZING (BAFFLE)
⑦	#10 x 3/4" PHP	⑮	DOWEL (SPACER) ASSEMBLY
⑧	E-Z ZIP DRYWALL ANCHOR	⑰	

### GRAPHIC SYMBOLS

### MATERIAL SYMB.

### ABBREVIATIONS



110V	110 VOLT	MACH.	MACHINE
φ	ON CENTER	M.S.	MACHINE SCREW
℄	CENTER LINE	O.D.	OUTER DIMENSION
A.F.F.	ABOVE FINISHED FLOOR	PLAM	PLASTIC LAMINATE
ALUM.	ALUMINUM	R	RADIUS
ASSY.	ASSEMBLY	R.F.	RETRO FIT
B.R.	BULLET RESISTANT	S.B.	SET BACK
COND.	CONDITIONS	SEC.	SECURITY
D&C	DRILL & COUNTERSINK	ST.	STAINLESS
DIA.	DIAMETER	STL.	STEEL
DIM.	DIMENSION	ST. STL.	STAINLESS STEEL
ELEC.	ELECTRIC	T/H	THRU HOLE
ELECT.	ELECTRICAL	THK.	THICK
EQ	EQUAL	TOL.	TOLERANCE
ENG.	ENGINEERING	TSS	TOTAL SECURITY SOLUTIONS
F.H.	FLAT HEAD	TYP.	TYPICAL
GA.	GAGE	W	WIDTH
H	HEIGHT	W/	WITH
HORZ.	HORIZONTAL	VERT.	VERTICAL
I.D.	INNER DIMENSION		

DATE:	BY:	No.	REVISION	DESCRIPTION:

### Total Security Solutions

170 National Park Drive  
 Fowlerville, Michigan 48836  
 517.223.7807 Fax: 517.223.0805  
 www.demandtss.com

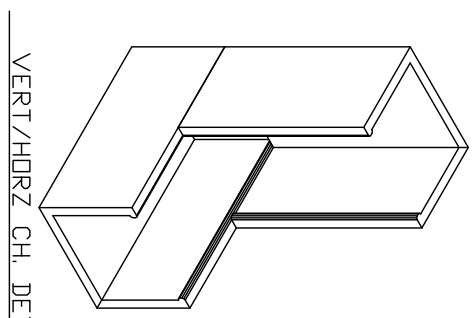
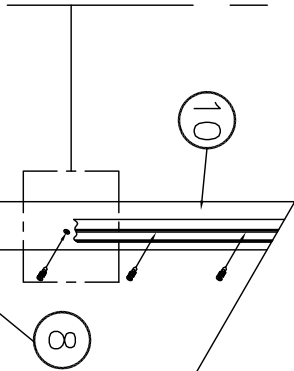
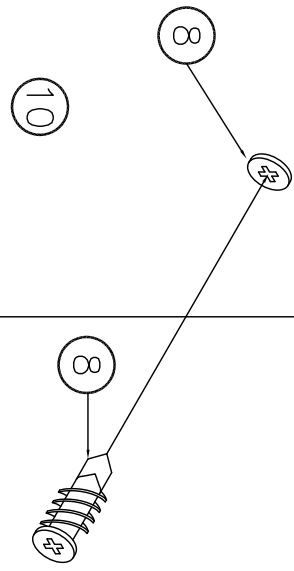
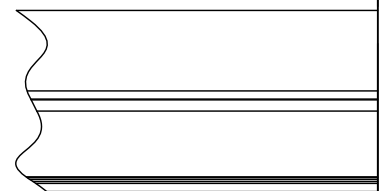
These drawings and all information hereon are of a confidential nature and remain the property of Total Security Solutions. Any use or reproduction of these drawings for any purpose, except by written permission of Total Security Solutions is strictly prohibited

**PROJECT:**  
**BULLET RESISTANT BAFFLE SYSTEM**

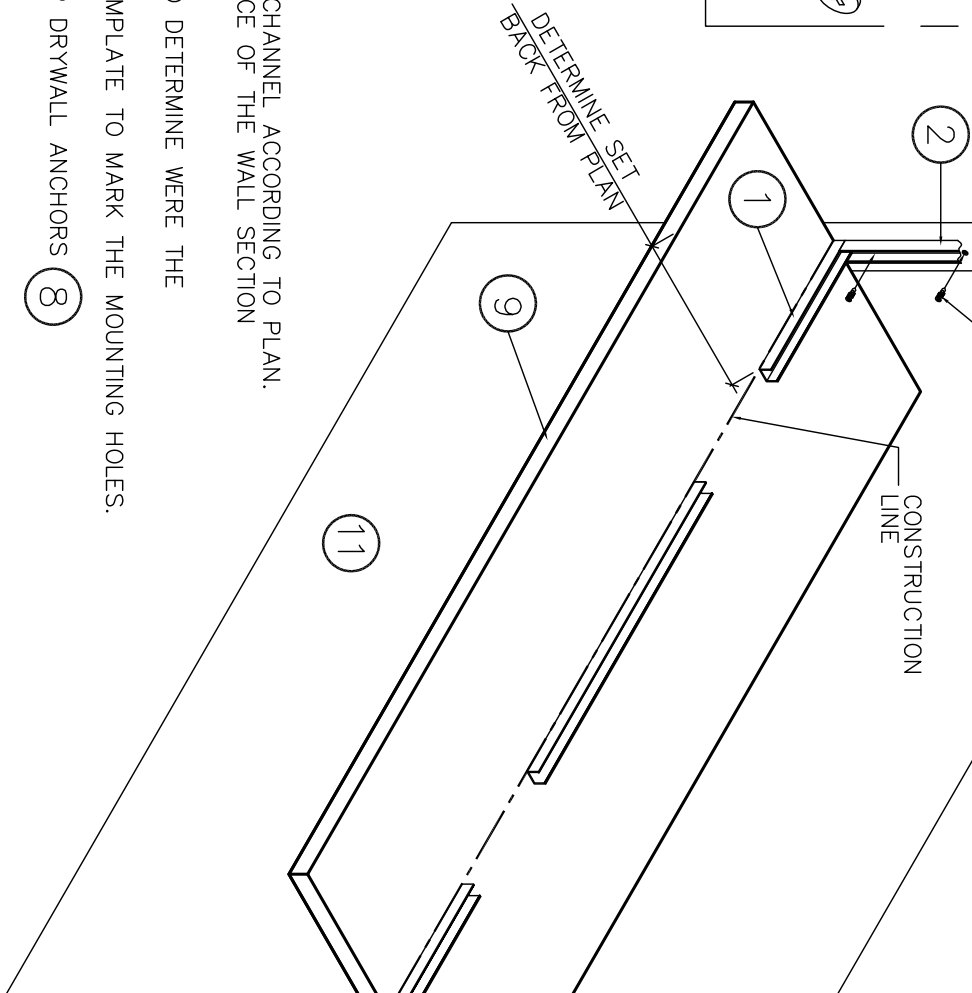
**INSTALL INSTRUCTIONS AND TYPICAL DETAILS**

DRAWN BY:	GWC
DATE:	4/30/09

# A1



VERT/HDRZ CH. DETAIL



STEP #1 DETERMINE SET-BACK OF WALL SECTION CHANNEL ACCORDING TO PLAN.  
 RUN A CONSTRUCTION LINE WHERE THE FACE OF THE WALL SECTION CHANNEL IS GOING TO BE PLACED

STEP #2 SET VERTICAL CHANNEL UP ON WALL AND DETERMINE WHERE THE MOUNTING FASTENERS ARE GOING TO BE.  
 NOTE: USE THE CHANNEL AS A TEMPLATE TO MARK THE MOUNTING HOLES.

STEP #3 DRILL A PILOT HOLE AND INSERT E-Z ZIP DRYWALL ANCHORS (8)

These drawings and all information hereon are of a confidential nature and remain the property of Total Security Solutions. Any use or reproduction of these drawings for any purpose, except by written permission of Total Security Solutions is strictly prohibited

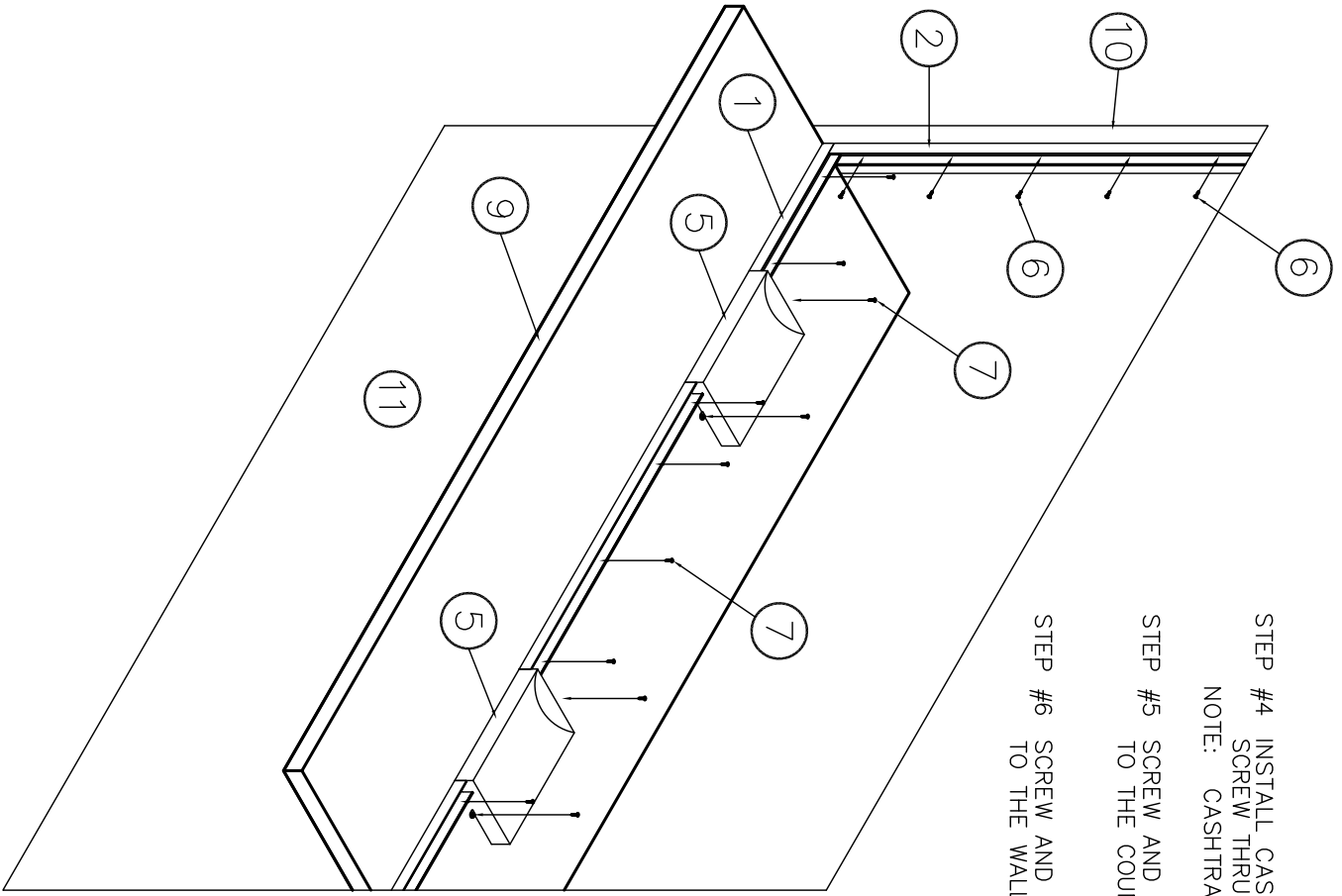
**Total Security Solutions**  
 170 National Park Drive  
 Fowlerville, Michigan 48836  
 517.223.7807 Fax: 517.223.0805  
 www.demandtss.com

DATE:	BY:	No.	REVISION	DESCRIPTION:

**PROJECT:**  
**BULLET RESISTANT BAFFLE SYSTEM**

**INSTALL INSTRUCTIONS AND TYPICAL DETAILS**

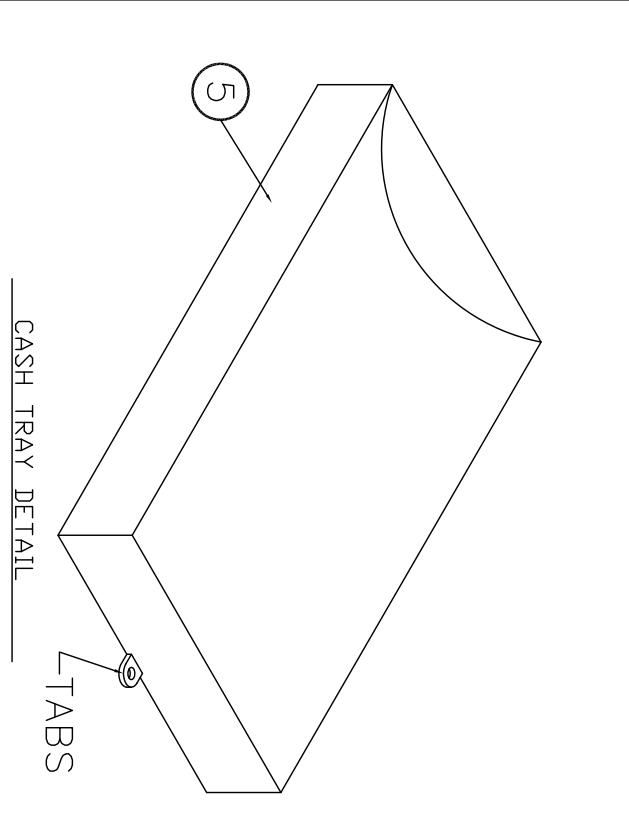
DRAWN BY:	GWC
DATE:	4/30/09
<b>A2</b>	



STEP #4 INSTALL CASH TRAYS TO COUNTER BY USING A #10 x 3/4" PHP SCREW. (7)  
 NOTE: CASHTRAYS WILL BE FLUSH WITH CHANNEL AND CONSTRUCTION LINE.

STEP #5 SCREW AND SECURE ALL WALL SECTION HORIZONTAL CHANNEL TO THE COUNTERTOP USING #10 x 3/4" PHP (7)

STEP #6 SCREW AND SECURE ALL WALL SECTION VERTICAL CHANNEL TO THE WALLS BY USING #10 x 1" PHP (6)



These drawings and all information hereon are of a confidential nature and remain the property of Total Security Solutions. Any use or reproduction of these drawings for any purpose, except by written permission of Total Security Solutions is strictly prohibited

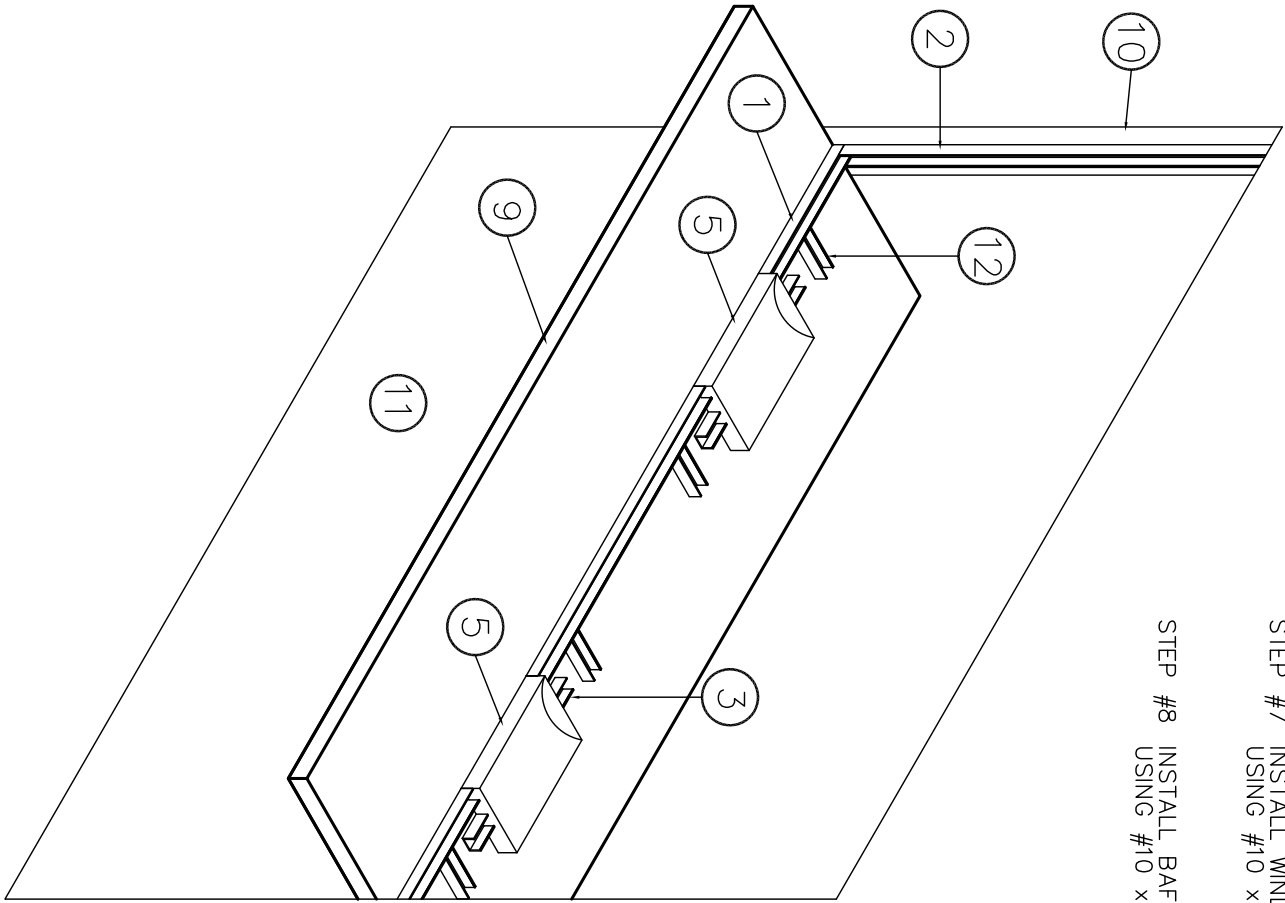
**Total Security Solutions**  
 170 National Park Drive  
 Fowlerville, Michigan 48836  
 517.223.7807 Fax: 517.223.0805  
 www.demandtss.com

DATE:	BY:	No.	REVISION	DESCRIPTION:

**PROJECT:**  
**BULLET RESISTANT BAFFLE SYSTEM**

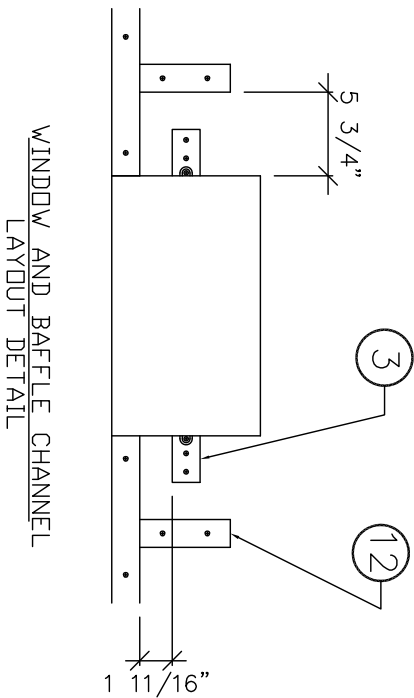
**INSTALL INSTRUCTIONS AND TYPICAL DETAILS**

DRAWN BY:	GWC
DATE:	4/30/09
<b>A3</b>	



STEP #7 INSTALL WINDOW CHANNEL BE SECURING IT TO COUNTER  
USING #10 x 3/4" PHP SCREW (7)

STEP #8 INSTALL BAFFLE CHANNEL BE SECURING IT TO COUNTER  
USING #10 x 3/4" PHP SCREW (7)



These drawings and all information hereon are of a confidential nature and remain the property of Total Security Solutions. Any use or reproduction of these drawings for any purpose, except by written permission of Total Security Solutions is strictly prohibited

**Total Security Solutions**

170 National Park Drive  
Fowlerville, Michigan 48836  
517.223.7807 Fax: 517.223.0805  
www.demandtss.com

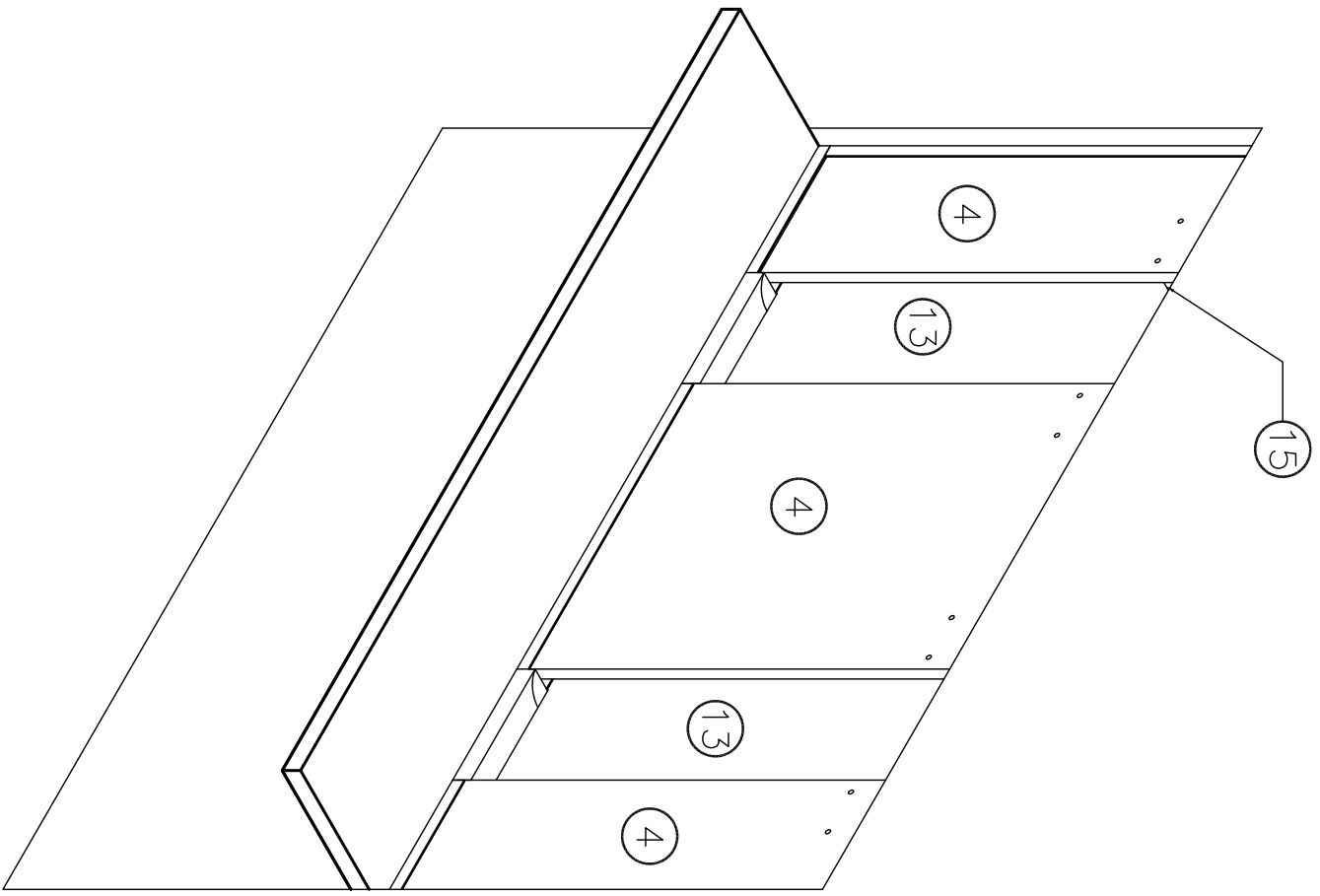
DATE:	BY:	No.	REVISION DESCRIPTION:

**PROJECT:**  
**BULLET RESISTANT BAFFLE SYSTEM**

**INSTALL INSTRUCTIONS  
AND TYPICAL DETAILS**

DRAWN BY:	GWC
DATE:	4/30/09

**A4**

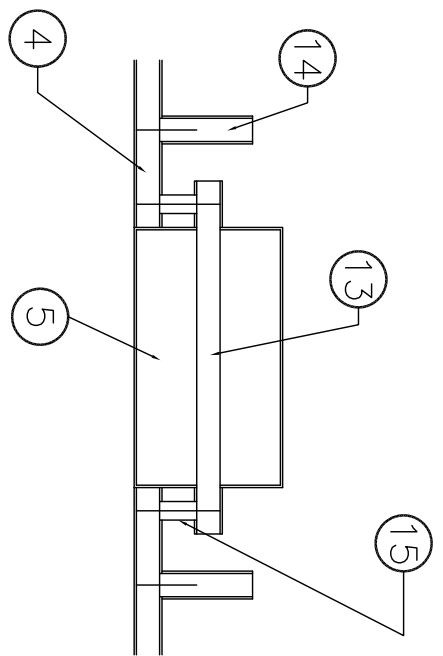


STEP #9 INSTALL B.R. WALL SECTIONS (4)

STEP #10 INSTALL B.R. WINDOWS (13)

STEP #11 INSTALL B.R. BAFFLES (14)

NOTE: SEE PAGE A6 FOR DOWEL ASSEMBLY AND FASTENER DETAILS



B.R. GLAZING DETAIL

These drawings and all information hereon are of a confidential nature and remain the property of Total Security Solutions. Any use or reproduction of these drawings for any purpose, except by written permission of Total Security Solutions is strictly prohibited

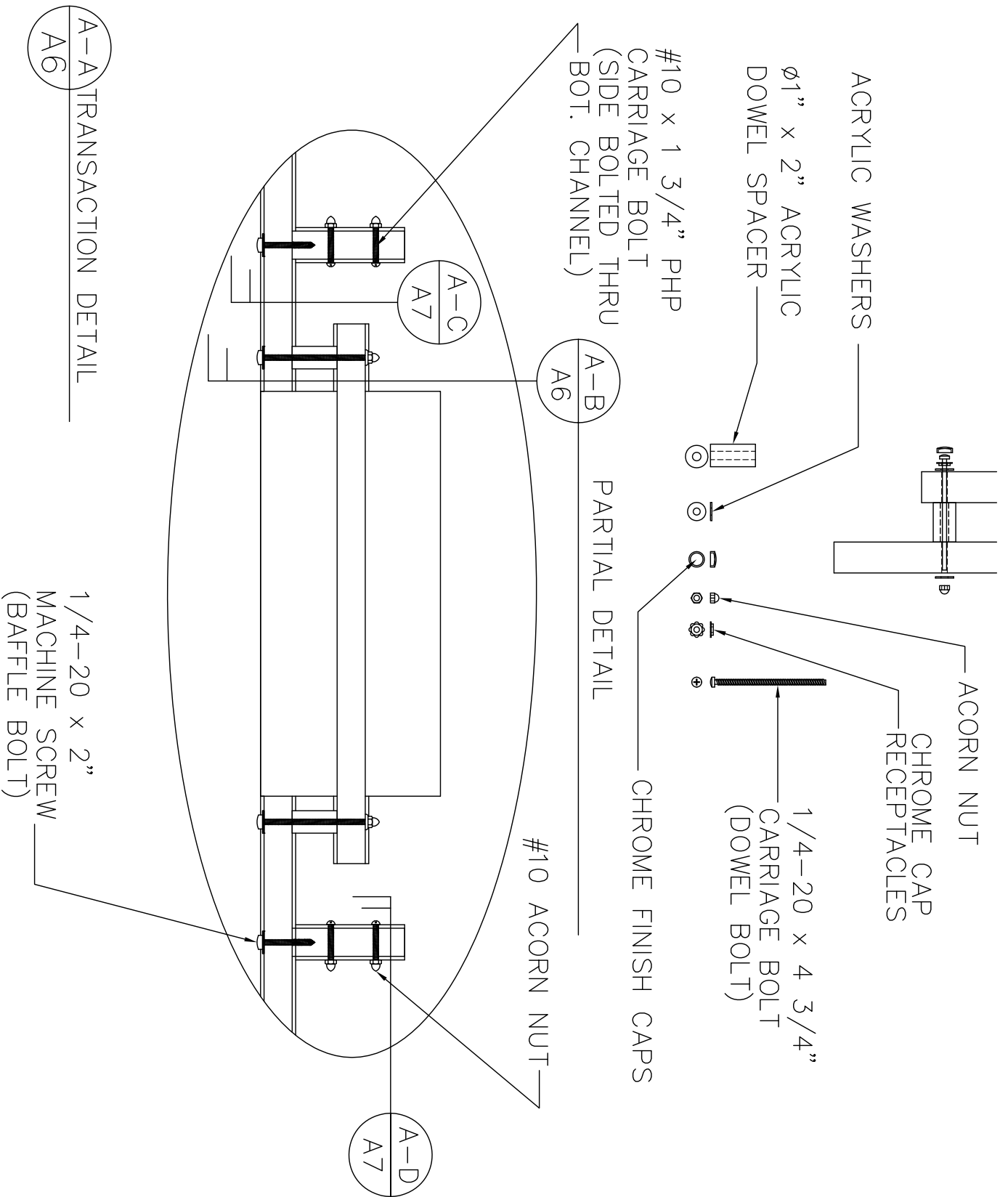
**Total Security Solutions**  
 170 National Park Drive  
 Fowlerville, Michigan 48836  
 517.223.7807 Fax: 517.223.0805  
 www.demandtss.com

DATE:	BY:	No.	REVISION DESCRIPTION:

**PROJECT:**  
**BULLET RESISTANT BAFFLE SYSTEM**

**INSTALL INSTRUCTIONS AND TYPICAL DETAILS**

DRAWN BY:	GWC
DATE:	4/30/09
<b>A5</b>	



A-A  
A6

TRANSACTION DETAIL

1/4-20 x 2"  
MACHINE SCREW  
(BAFFLE BOLT)

A-C  
A7

A-B  
A6

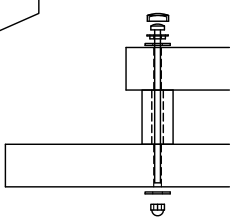
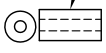
PARTIAL DETAIL

#10 ACORN NUT

A-D  
A7

ACRYLIC WASHERS  
ø1" x 2" ACRYLIC  
DOWEL SPACER

#10 x 1 3/4" PHP  
CARRIAGE BOLT  
(SIDE BOLTED THRU  
BOT. CHANNEL)



ACORN NUT  
CHROME CAP  
RECEPTACLES

1/4-20 x 4 3/4"  
CARRIAGE BOLT  
(DOWEL BOLT)

These drawings and all information hereon are of a confidential nature and remain the property of Total Security Solutions. Any use or reproduction of these drawings for any purpose, except by written permission of Total Security Solutions is strictly prohibited

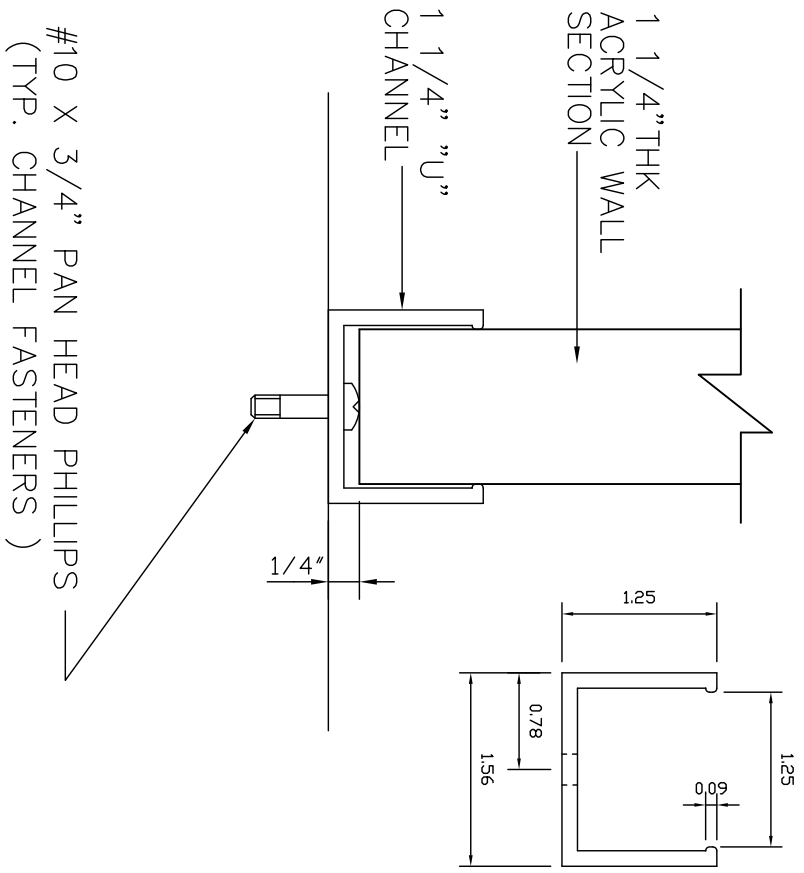
**Total Security Solutions**  
170 National Park Drive  
Fowlerville, Michigan 48836  
517.223.7807 Fax: 517.223.0805  
www.demandtss.com

DATE:	BY:	No.	REVISION	DESCRIPTION:

**PROJECT:**  
**BULLET RESISTANT BAFFLE SYSTEM**

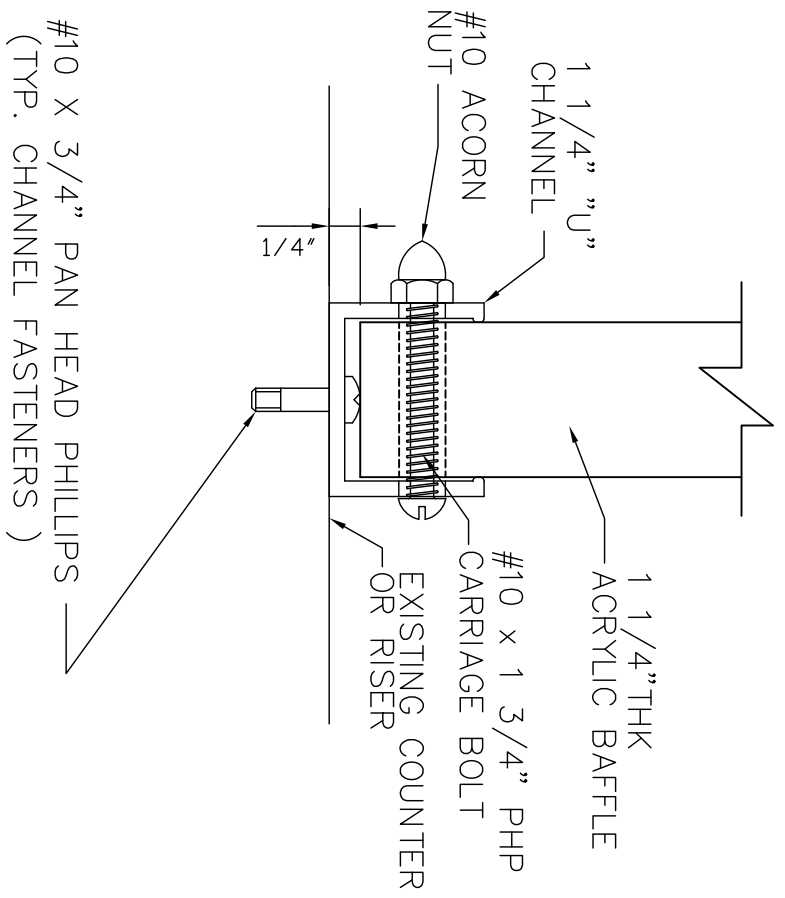
**INSTALL INSTRUCTIONS  
AND TYPICAL DETAILS**

DRAWN BY:	GWC
DATE:	4/30/09
<b>A6</b>	



A-C  
A7

SECTION/DETAIL



A-D  
A7

SECTION/DETAIL

These drawings and all information hereon are of a confidential nature and remain the property of Total Security Solutions. Any use or reproduction of these drawings for any purpose, except by written permission of Total Security Solutions is strictly prohibited

**Total Security Solutions**  
170 National Park Drive  
Fowlerville, Michigan 48836  
517.223.7807 Fax: 517.223.0805  
www.demandtss.com

DATE:	BY:	No.	REVISION	DESCRIPTION:

**PROJECT:**  
**BULLET RESISTANT BAFFLE SYSTEM**

**INSTALL INSTRUCTIONS  
AND TYPICAL DETAILS**

DRAWN BY:	GWC
DATE:	4/30/09
<b>A7</b>	