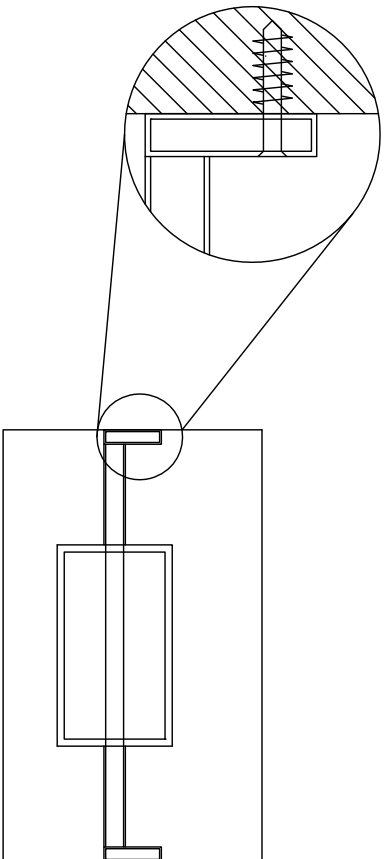


2  
A1

**ELEVATION**



1  
A1

**PLAN**

**TRANSACTION WINDOW**

UNIT INSTALL INSTRUCTIONS:

1. CUT A FINISHED OPENING IN THE WALL TO ACCEPT THE UNIT SIZE. ROUGH OPENING SHOULD BE 1/4" WIDER AND 1/4" TALLER THAN SIZE OF UNIT ORDERED.
2. PLACED PREFRAMED WINDOW IN THE OPENING, SHIM AS NECESSARY AND ATTACH SIDES TO EXISTING WALL WITH SCREWS, USING ANCHORS IF THE WALL IS MASONRY.
3. APPLY FINISH TRIM MOLDING OBTAINED LOCALLY, AND INSTALLATION IS COMPLETE.

Project Name:

**TRANSACTION WINDOW**

**Total Security Solutions**  
 170 National Park Drive  
 Fowlerville, Michigan 48836  
 517.223.7807 Fax: 517.223.0805

Rev	Date	Description

These drawings and all information hereon are of a confidential nature and remain the property of TOTAL SECURITY SOLUTIONS. Any use or reproduction of these drawings for any purpose, except by written permission of TOTAL SECURITY SOLUTIONS is strictly prohibited.

Drawn By: \_\_\_\_\_  
 Checked By: \_\_\_\_\_  
 Project Name: \_\_\_\_\_  
 Sheet: \_\_\_\_\_  
 Project Number: \_\_\_\_\_  
 Drawn By: \_\_\_\_\_  
 Checked By: \_\_\_\_\_  
 Project Name: \_\_\_\_\_  
 Sheet: \_\_\_\_\_  
 Project Number: \_\_\_\_\_

A1