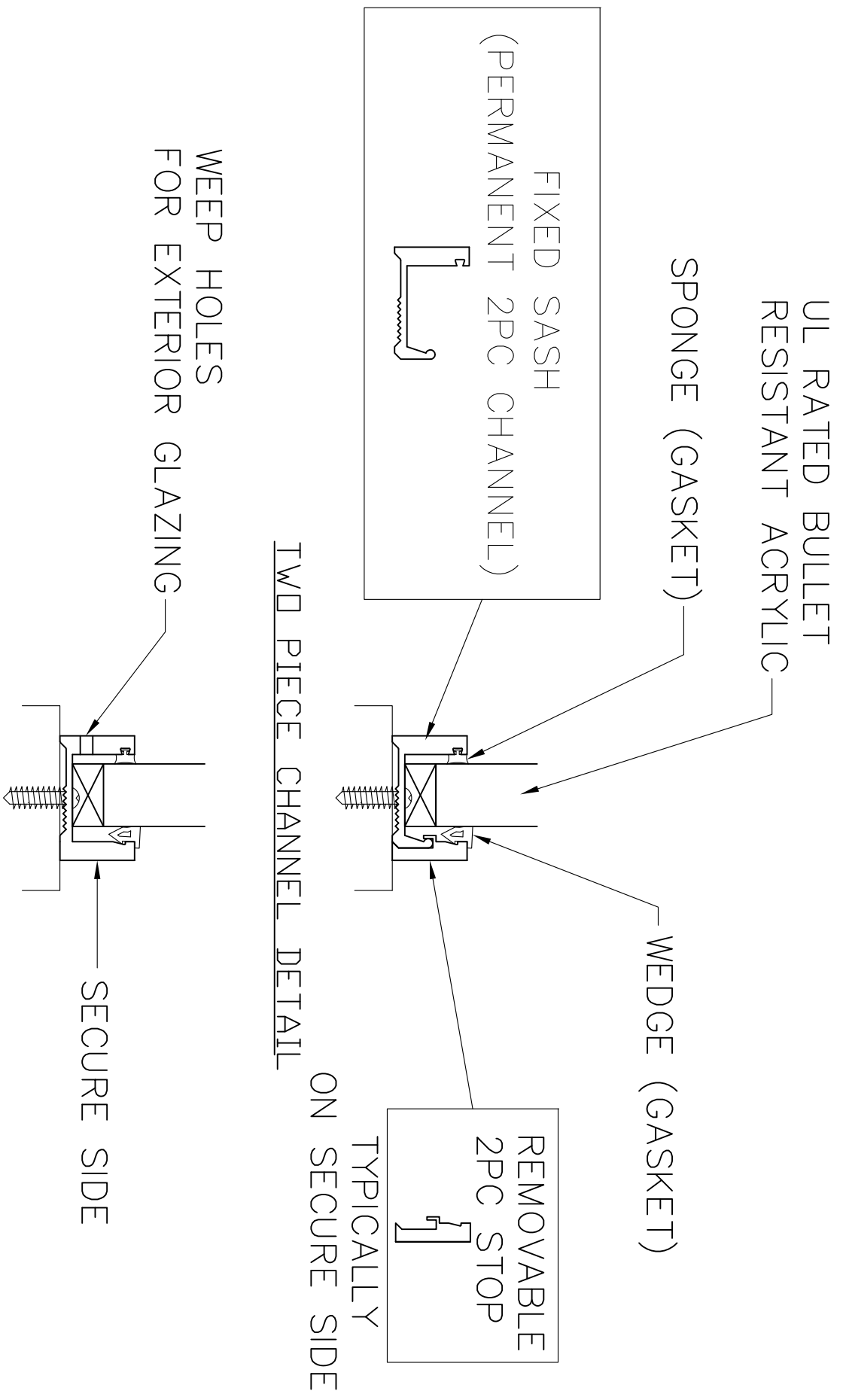


44-250 CHANNEL INSTALLATION INSTRUCTIONS



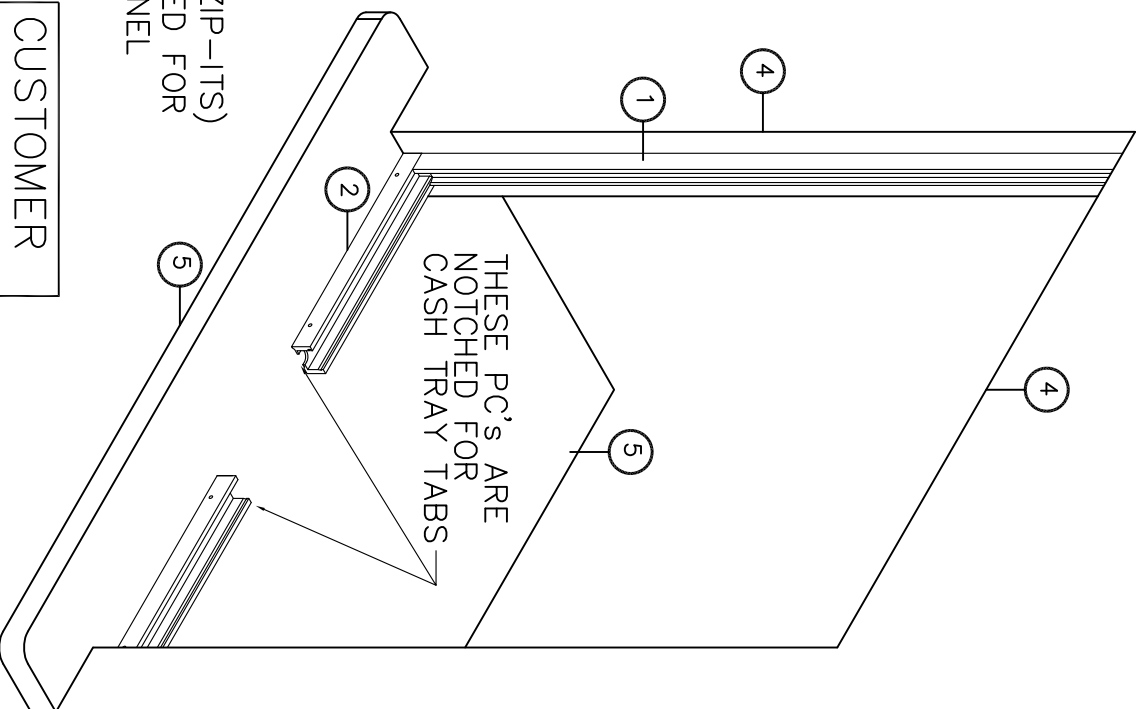
ONE PIECE CHANNEL DETAIL

44-250 CHANNEL INSTALLATION INSTRUCTIONS

STEP #1 SCREW PERMANENT 2PC CHANNEL IN FINISHED OPENINGS.

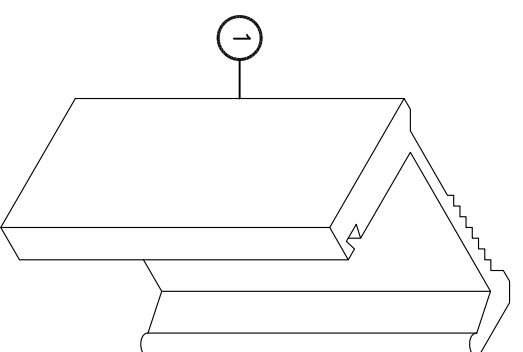
- A. HORIZONTAL PC'S ARE TO BE INSTALLED FIRST
- B. VERTICAL PC'S SECOND. CASH TRAY WILL BE INSTALLED NEXT.
(PLEASE SEE PAGE (3))

- ① — PERMANENT 2pc CHANNEL VERTICAL
- ② — PERMANENT 1pc CHANNEL HORIZONTAL
- ③ — REMOVABLE STOP (NOT SHOWN YET)
- ④ — FINISHED OPENING
- ⑤ — COUNTER

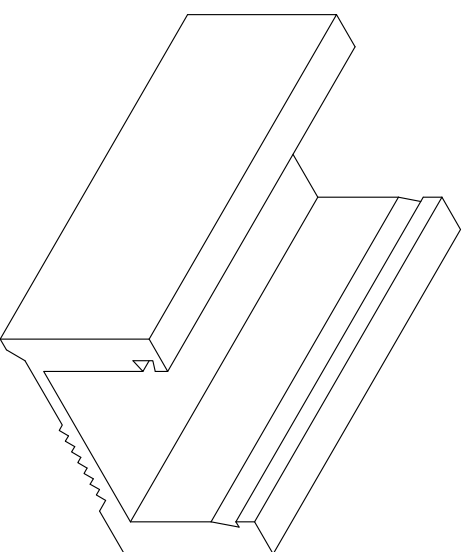


NOTE: DRYWALL ANCHORS (ZIP-ITS) MAY HAVE TO BE USED FOR VERTICAL WALL CHANNEL

CUSTOMER



PERMANENT (2) PIECE DETAIL
REMOVABLE STOP (NOT SHOWN YET)

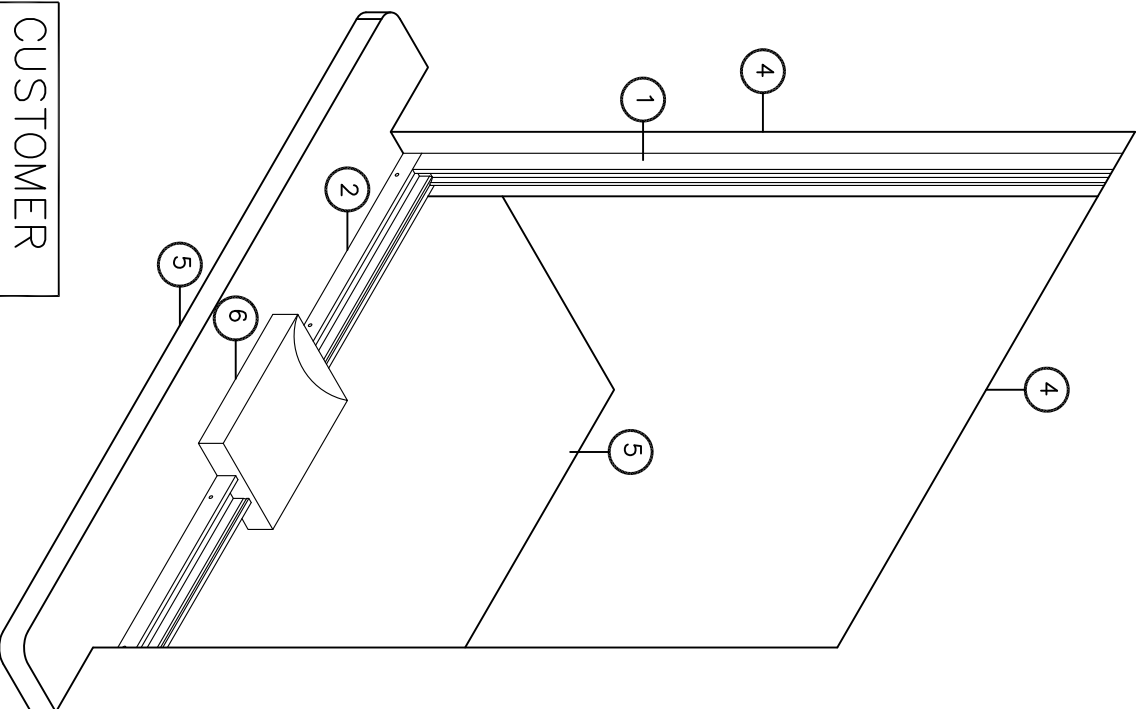


PERMANENT (1) PIECE DETAIL

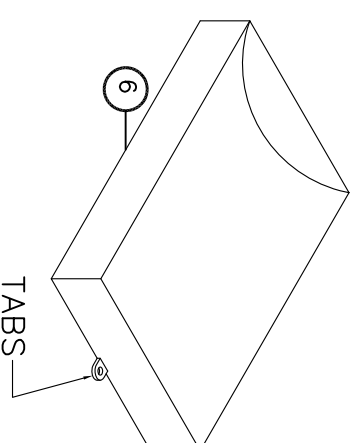
44-250 CHANNEL INSTALLATION INSTRUCTIONS

STEP #2 SCREW DOWN & INSTALL CASH TRAY A. SCREW TO COUNTERTOP THRU TABS

- ① — PERMANENT 2pc CHANNEL VERTICAL
- ② — PERMANENT 1pc CHANNEL HORIZONTAL
- ③ — REMOVABLE STOP (NOT SHOWN YET)
- ④ — FINISHED OPENING
- ⑤ — COUNTER
- ⑥ — COUNTER MOUNT CASH TRAY



CUSTOMER

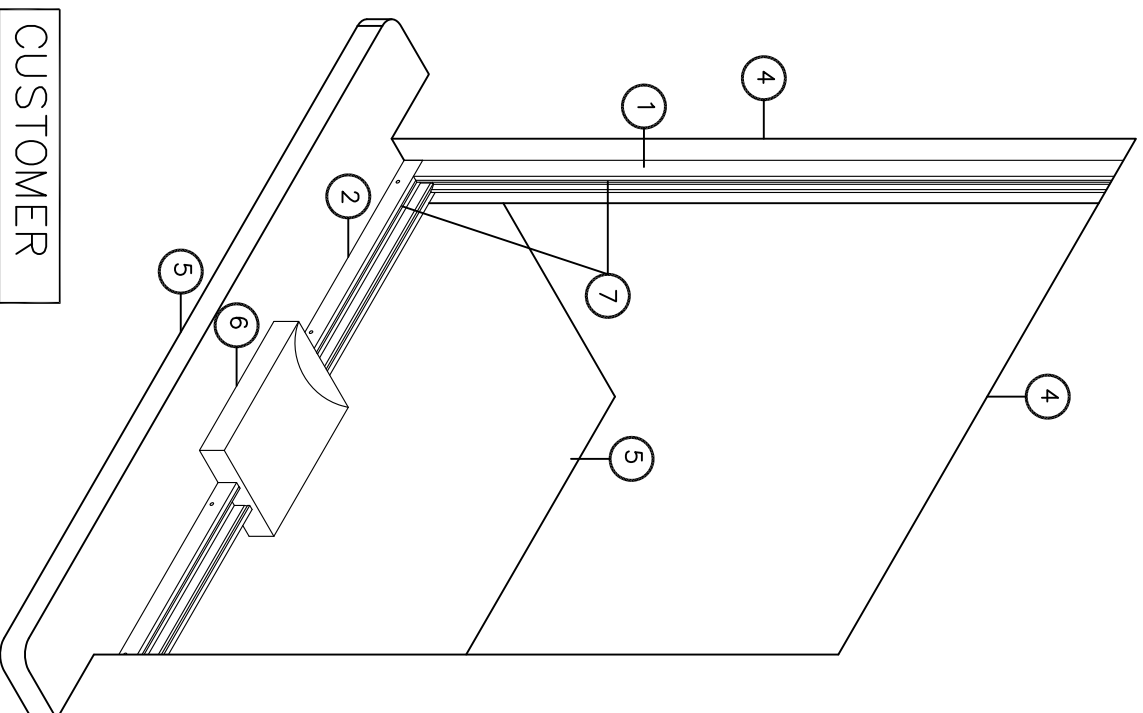


CASH TRAY DETAIL

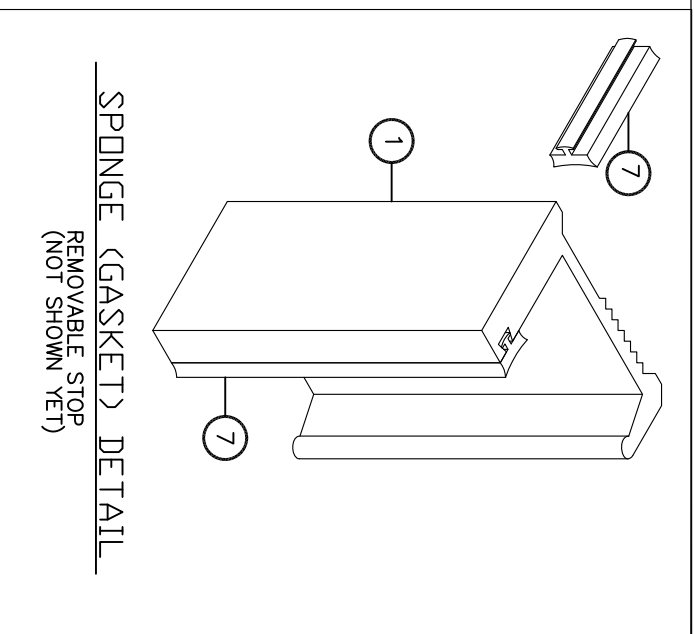
2-PC CHANNEL INSTALLATION INSTRUCTIONS

STEP #3 INSTALL SPONGE ON TREAT SIDE OF 44-250 CHANNEL

- ① — PERMANENT 2pc CHANNEL VERTICAL
- ② — PERMANENT 1pc CHANNEL HORIZONTAL
- ③ — REMOVABLE STOP (NOT SHOWN YET)
- ④ — FINISHED OPENING
- ⑤ — COUNTER
- ⑥ — COUNTER MOUNT CASH TRAY
- ⑦ — GLAZING SPONGE



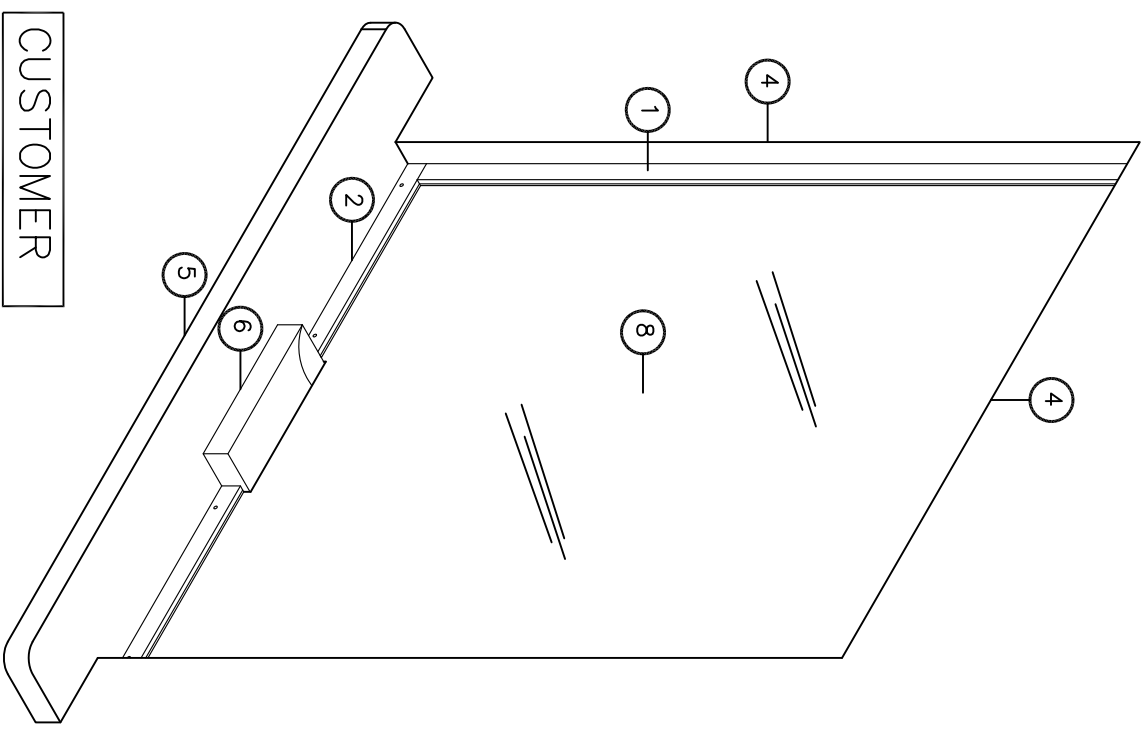
CUSTOMER



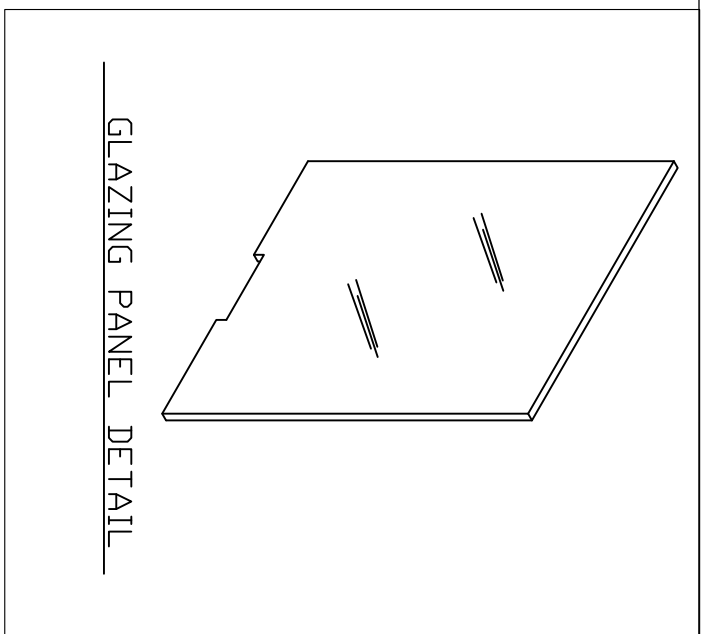
44-250 CHANNEL INSTALLATION INSTRUCTIONS

STEP #4 INSTALL B.R. GLAZING INTO 44-250 CHANNEL

- ① — PERMANENT 2pc CHANNEL VERTICAL
- ② — PERMANENT 1pc CHANNEL HORIZONTAL
- ③ — REMOVABLE STOP (NOT SHOWN YET)
- ④ — FINISHED OPENING
- ⑤ — COUNTER
- ⑥ — COUNTER MOUNT CASH TRAY
- ⑦ — GLAZING SPONGE
- ⑧ — B.R. GLAZING



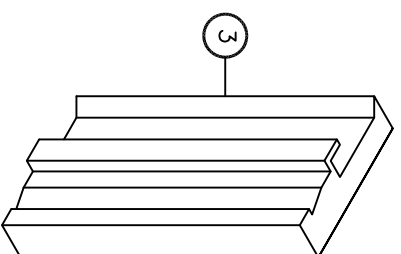
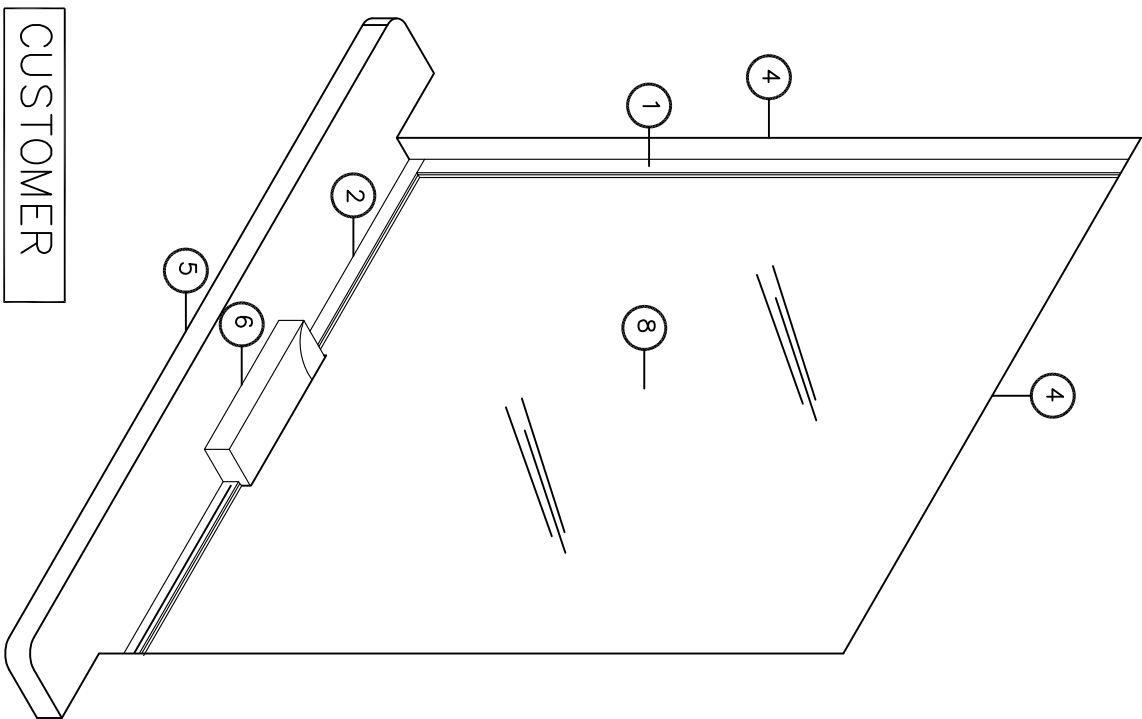
CUSTOMER



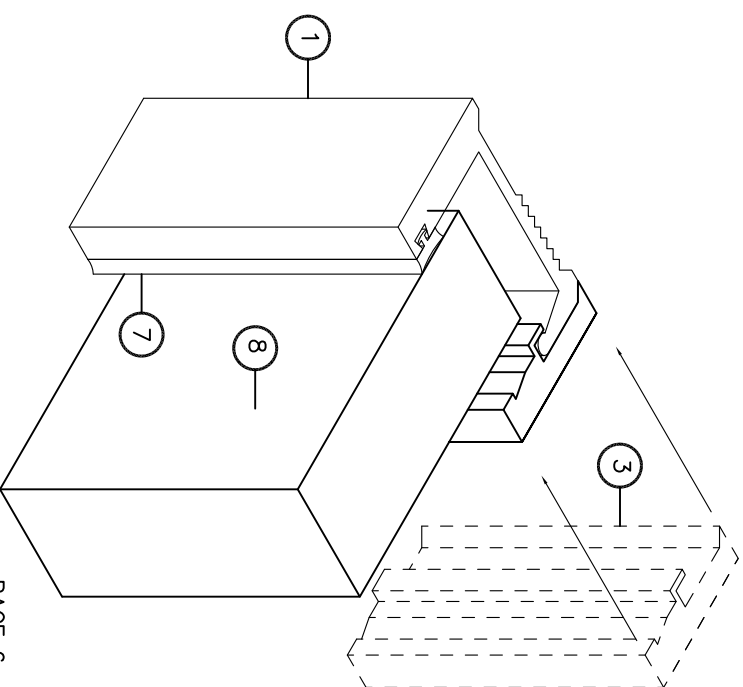
44-250 CHANNEL INSTALLATION INSTRUCTIONS

STEP #5 INSTALL REMOVABLE STOP

- ① — PERMANENT 2pc CHANNEL VERTICAL
- ② — PERMANENT 2pc CHANNEL HORIZONTAL
- ③ — REMOVABLE STOP (AS SHOWN)
- ④ — FINISHED OPENING
- ⑤ — COUNTER
- ⑥ — COUNTER MOUNT CASH TRAY
- ⑦ — GLAZING SPONGE
- ⑧ — B.R. GLAZING



REMOVABLE STOP DETAIL.

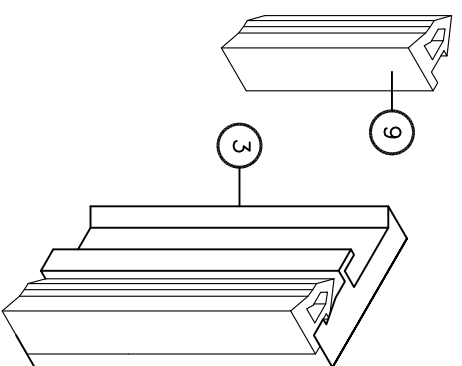
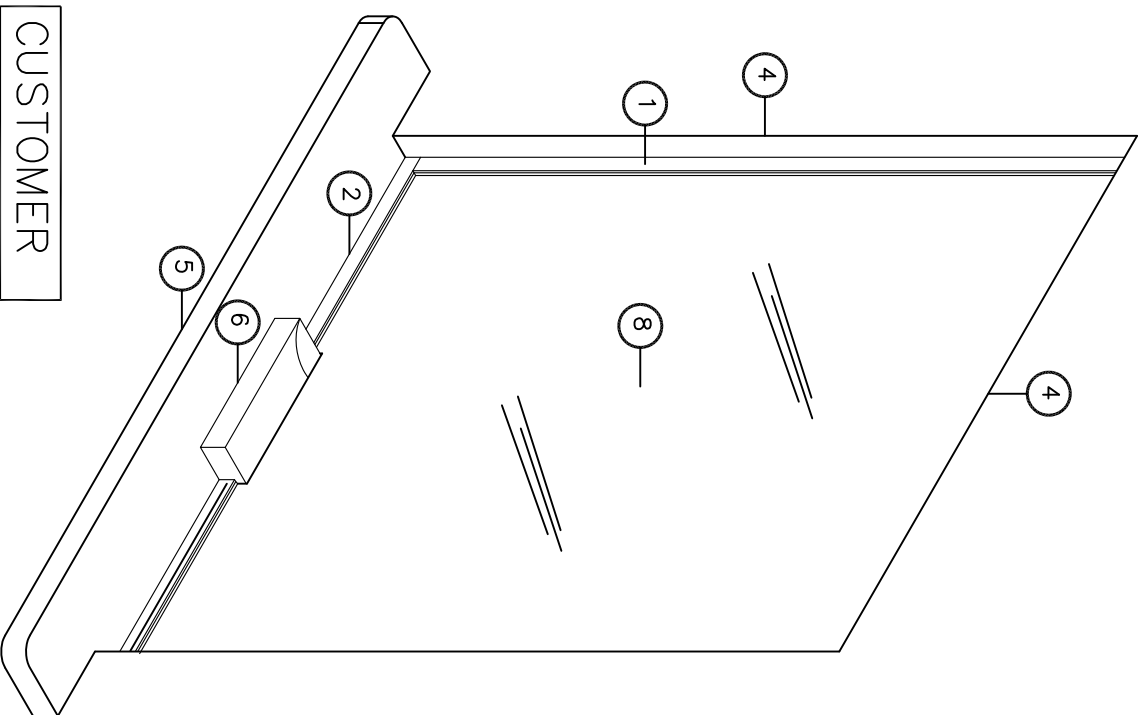


44-250 CHANNEL INSTALLATION INSTRUCTIONS

STEP #6 INSTALL WEDGE INTO REMOVABLE STOP.

NOTE: A RUBBER MALLET MAY NEEDED

- ① — PERMANENT 2pc CHANNEL VERTICAL
- ② — PERMANENT 2pc CHANNEL HORIZONTAL
- ③ — REMOVABLE STOP (AS SHOWN)
- ④ — FINISHED OPENING
- ⑤ — COUNTER
- ⑥ — COUNTER MOUNT CASH TRAY
- ⑦ — GLAZING SPONGE
- ⑧ — B.R. GLAZING
- ⑨ — WEDGE



STOP & WEDGE DETAIL

