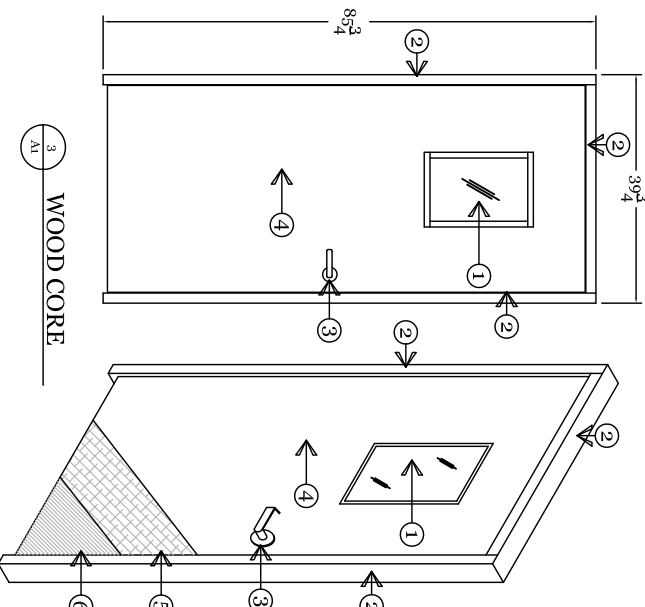
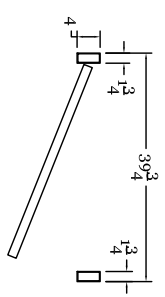
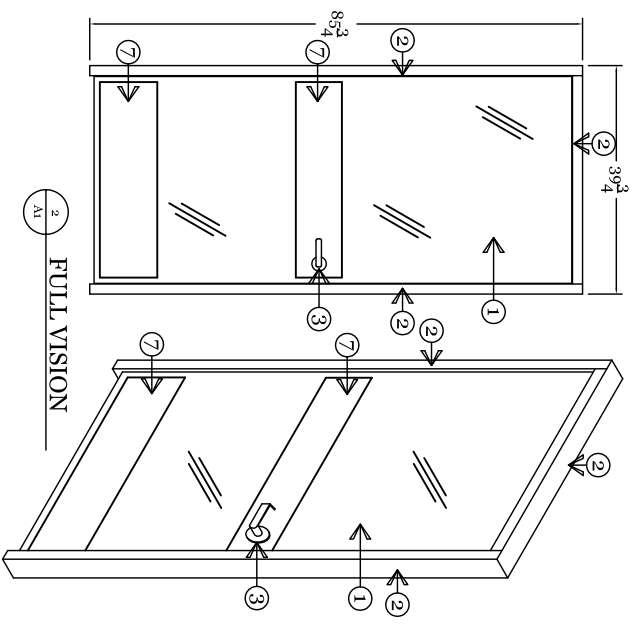


1
AI
HALF VISION

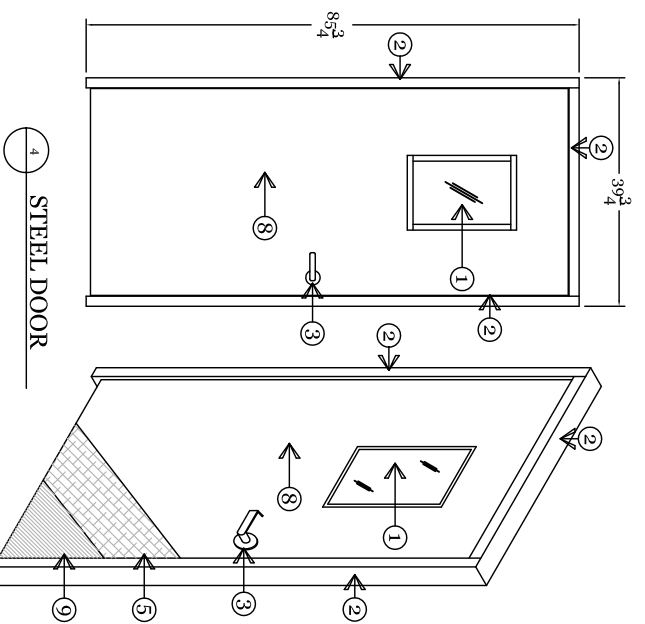
DRAWING NOTES:
 1. BULLET RESISTANT ACRYLIC OR ACRYLIC/POLYCARBONATE COMPOSITE. AVAILABLE IN PROTECTION LEVELS 1,2,3.
 2. ALUMINUM TUBE FRAME, 1 1/2" x 4" x 1/2" WALL. STANDARD COLORS ARE CLEAR ANODIZED ALUMINUM AND ARCHITECTURAL BRONZE.
 3. STANDARD LOCKSET SIMPLEX UNICAN PUSH BUTTON OR SCHLAGE STOREROOM FUNCTION.
 4. PLASTIC LAMINATE OR PAINTABLE WOOD VENEER FINISH.
 5. UL RATED BALLISTIC RESISTANT FIBERGLASS, AVAILABLE IN PROTECTION LEVEL 1,2,3.
 6. WOOD DOOR BLANK.
 7. .040 ALUMINUM KICK PLATE AND MIDDRAND, COLOR TO MATCH FRAME.
 8. 16 GAUGE PRIME PAINTED STEEL SHELL.
 9. POLYSTYRENE SOUND INSULATION.



3
AI
WOOD CORE



2
AI
FULL VISION



4
AI
STEEL DOOR

Total Security Solutions
 170 National Park Drive
 Fowlerville, Michigan 48836
 517.223.7807 Fax: 517.223.0805

BR DOORS
 TYPICAL DETAILS

Project Name:

These drawings and all information hereon are of a confidential nature and remain the property of TOTAL SECURITY SOLUTIONS. Any use or reproduction of these drawings for any purpose, except by written permission of TOTAL SECURITY SOLUTIONS is strictly prohibited.

Drawn By: _____
 Checked By: _____
 Sheet Title: ELEVATIONS
 Sheet Number: AI