

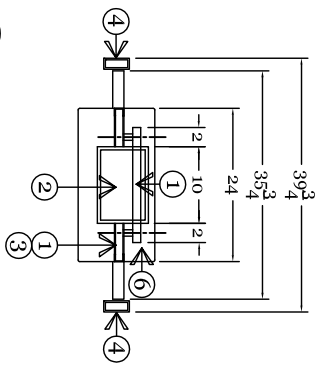
Project Name:

TRANSACTIONAL DOOR
TYPICAL DETAILS

Total Security Solutions
170 National Park Drive
Fowlerville, Michigan 48836
517.223.7807 Fax: 517.223.0805

These drawings and all information hereon are of a confidential nature and remain the property of TOTAL SECURITY SOLUTIONS. Any use or reproduction of these drawings for any purpose, except by written permission of TOTAL SECURITY SOLUTIONS is strictly prohibited.

Drawn By	Checked By
Consent By	Consent By
Sheet Title	Sheet Number
ELEVATIONS	A1

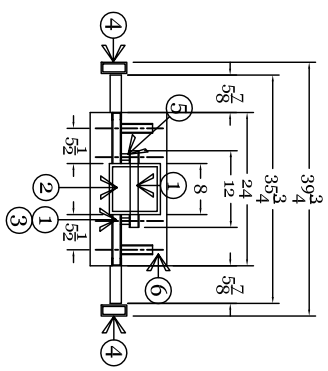
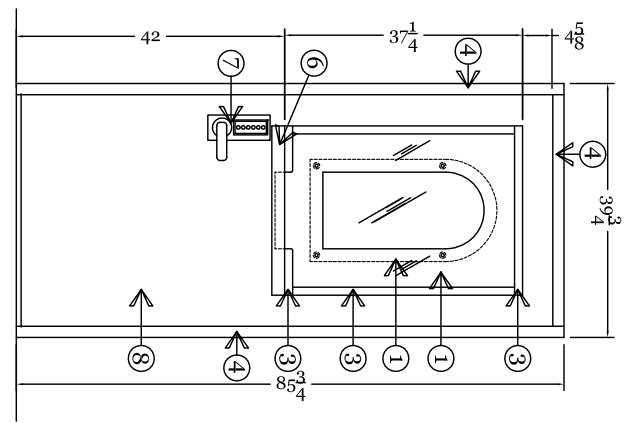
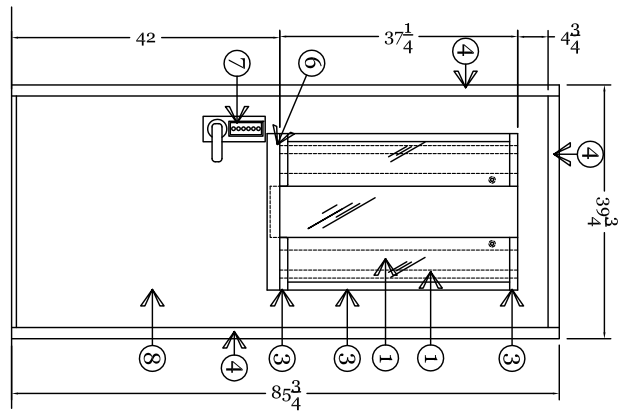
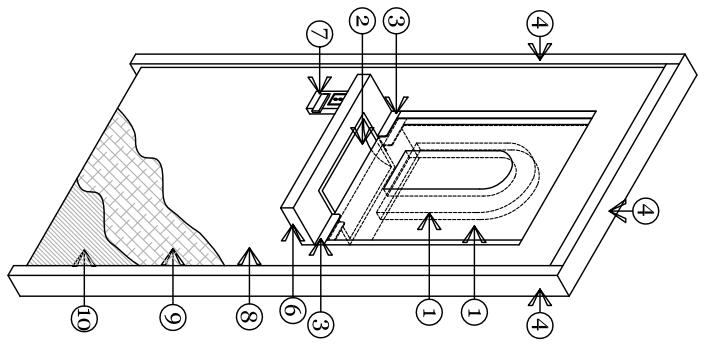
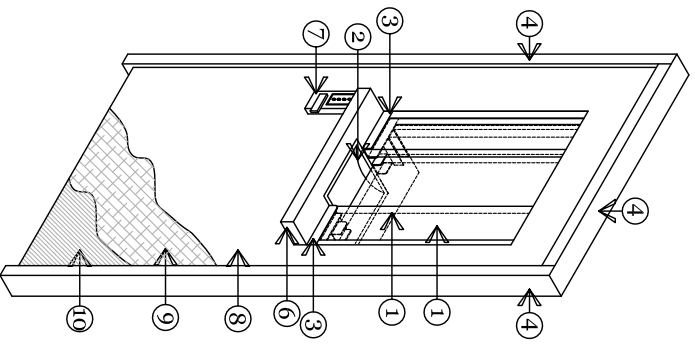


1 ARCH STYLE

DRAWING NOTES:

- BULLET RESISTANT ACRYLIC OR ACRYLIC/POLYCARBONATE COMPOSITE. AVAILABLE IN PROTECTION LEVELS 1,2,3.
- 18 GAUGE BRUSHED STAINLESS STEEL RECESSED DEAL TRAYS.
- EXTRUDED ALUMINUM CHANNEL. SIZED TO MATCH THE LEVEL OF ACRYLIC PROTECTION. STANDARD COLORS: ARCHITECTURAL BRONZE AND CLEAR ANODIZED ALUMINUM. CUSTOM COLORS ARE AVAILABLE.
- ALUMINUM TUBE FRAME. SIZED BASED ON WIDTH AND HEIGHT OF ASSEMBLED UNIT. TUBE SIZE IS 1-1/4" x 4" OR 1" x 4".
- ACRYLIC DOWEL SPACERS.
- PLASTIC LAMINATE COUNTER TOP. WIDTH SIZED TO MATCH OPENING WIDTH. MAXIMUM DEPTH IS 18", MINIMUM DEPTH IS 12". COUNTER TOP IS 1-1/2" THICK.
- STANDARD LOCKSET SIMPLEX UICAN PUSH BUTTON OR SCHLAGE STOREROOM FUNCTION.
- PLASTIC LAMINATE OR PAINTABLE WOOD VENEER FINISH.
- UL RATED BALLISTIC RESISTANT FIBERGLASS. AVAILABLE IN PROTECTION LEVEL 1,2,3.
- WOOD DOOR BLANK.

Standard Door Notes:
 Finished Opening: 40 x 86
 Jamb Size: 39-1/4" x 85-2"
 Door Size: 35-1/4" x 83-1/4"
 Level 1,2,3
 Finish: Paint Grade Wood or Plastic Laminate
 Lockset: Simplex Uiccan or Schlage Storeroom Door Closer: International IS81
 Anti-Injmy: Included on out swing doors



2 BAFFLE STYLE