

SECURE SOUND SYSTEM | WINDOW

FEATURES

- ▶ Delivered complete and ready for installation
- ▶ Custom fabricated to fit any workstation
- ▶ Levels 1 through 3 ballistic options
- ▶ Full vision through system
- ▶ Excellent voice transmission

CONSTRUCTION

The Secure Sound System consists of custom prefabricated bullet resistant acrylic panels with secure air passage as required for voice transmission. Panels are built to fit existing fixtures, with all necessary components, hardware, and accessories being supplied as needed for complete construction.

CASH TRAY OPTIONS

- ▶ Counter-mount or recessed
- ▶ Brushed stainless steel
- ▶ Brushed brass

BULLET RESISTING GLAZING MATERIAL

Bullet Resistant Level 1	3/4" LP 750 Laminated
	1 1/4" Uncoated Acrylic
	1 1/4" AR Coated Acrylic
Bullet Resistant Level 2	1" LP 1000 Laminated
	1 3/8" AR Coated Acrylic
Bullet Resistant Level 3	1 1/4" LP 1250 Laminated

CHANNEL FINISH OPTIONS

- ▶ Clear Anodized
- ▶ Dark Bronze Anodized
- ▶ Brushed Brass
- ▶ Custom Paint On Request

SPECIFICATIONS

A. GLAZING

Glazing materials shall be of a type listed by Underwriter's Laboratories, Standard 752 for bullet resistance and/or tested by H.P. White Laboratory for specified bullet resistance.

B. FINISH

Aluminum components shall be finished per customer specifications.

C. HARDWARE

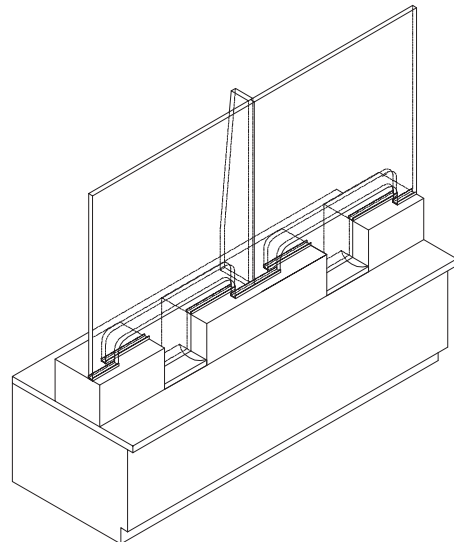
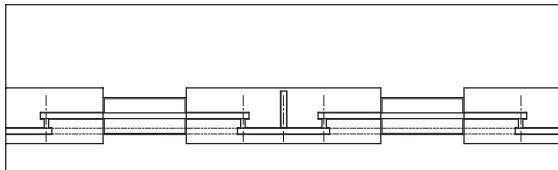
Workstations are to be provided with all hardware and components necessary for installation.

D. CONSTRUCTION

All components are to be completely prefabricated and ready for installation.

MARKETS SERVED

- ▶ Check cashing facilities
- ▶ Financial institutions
- ▶ Municipal offices
- ▶ Law enforcement facilities
- ▶ Any retail application



HANDLING INFORMATION

Handling: Care should be exercised during shipping and handling to maintain transaction window appearance.

Storage: Store upright in a dry, well ventilated building or shelter at a constant temperature. Do not store in damp areas or freshly plastered buildings. Place unit on wood blocks at least 2" high to prevent moisture damage.

Application: Remove from protective container just prior to installation. Care should be exercised when installing the Secure Sound Window System to insure that installation is level, plumb, square and secure.

Cleaning: You must clean the glazing unit during and after the construction period to maintain optimum performance and aesthetic properties. To clean, use a soft, clean cloth and a mild soap, detergent, or slightly acidic cleaning solution (such as vinegar). Wipe with a clean, lint-free cloth.

TECHNICAL SUPPORT

TSS maintains a full staff of professional and experienced sales representatives, project estimators, engineers, draftsmen, craftsmen and installers ready to assist in all phases of the bullet resistant project from initial design through installation. Consult our sales department or your local representative for assistance with all your bullet-resistant needs at 1.517.223.7807.

LIMITED WARRANTY

TSS offers a twelve month limited warranty. This warranty does not cover damage caused by neglect, abuse, vandalism, improper maintenance, accident or any other cause beyond the suppliers control not arising out of defects in material or workmanship. The warranties stated replace and exclude all other warranties. The warranty is limited to replacing products that fail to meet specification, or are defective in quality or workmanship at the time of delivery. TSS will not be responsible for (re)installation expenses or any direct or indirect loss(es) which may result from a defective product. TSS reserves the right to field inspect any product alleged to be defective. The buyer is responsible for any consequences resulting from product use.

