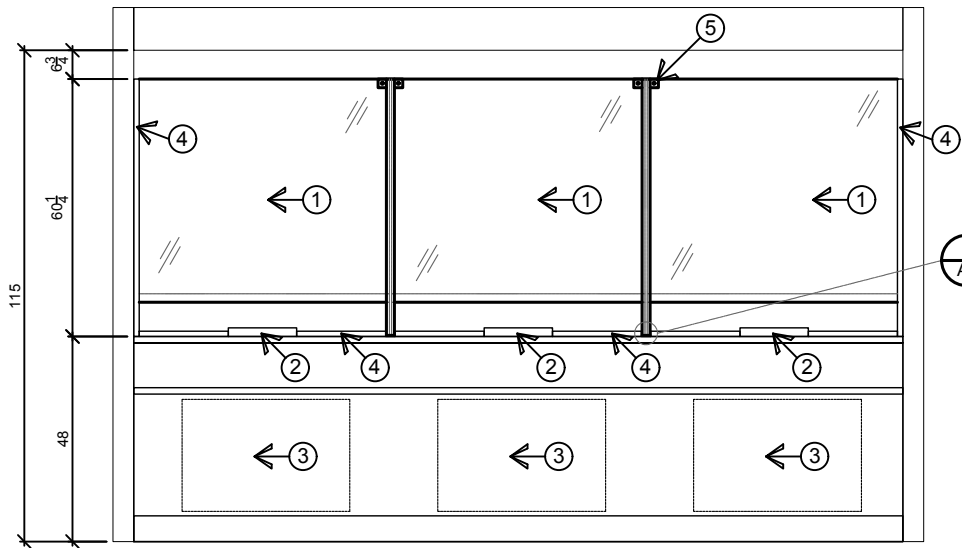
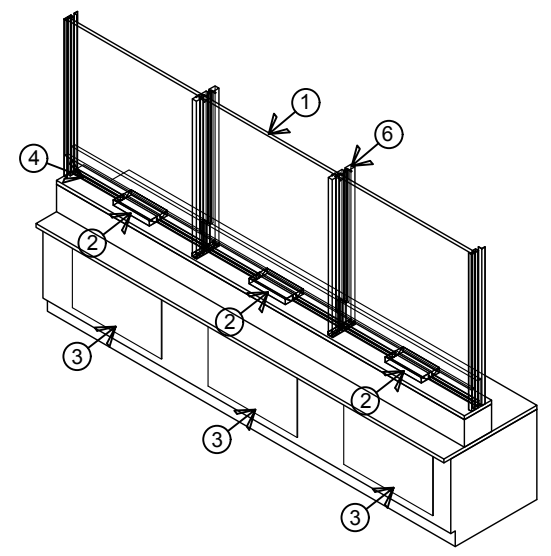


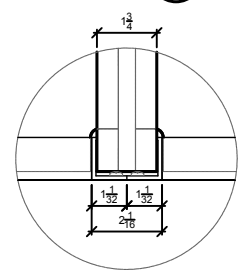
1 PLAN - CONT. RISER



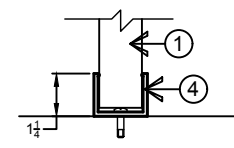
2 ELEVATION - CONT. RISER



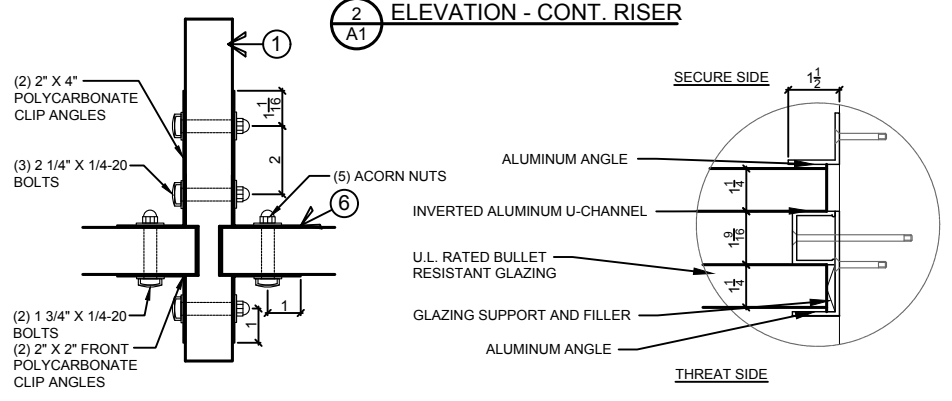
3 ISOMETRIC VIEW



4 A1 SPLIT U-CHANNEL



5 A1 U-CHANNEL



6 A1 BAFFLE CLIPS

7 A1 INSTALL DETAIL

DRAWING NOTES:

1. BULLET RESISTANT ACRYLIC OR ACRYLIC/POLYCARBONATE COMPOSITE. AVAILABLE IN PROTECTION LEVELS 1,2,3.
2. 18 GAUGE BRUSHED STAINLESS STEEL DEAL TRAYS. AVAILABLE SURFACE MOUNTED OR RECESSED. CUSTOM SIZES ARE AVAILABLE.
3. UL RATED BALLISTIC FIBERGLASS FOR UNDERCOUNTER PROTECTION. AVAILABLE IN PROTECTION LEVELS 1,2,3.
4. EXTRUDED ALUMINUM CHANNEL. SIZED TO MATCH THE LEVEL OF ACRYLIC PROTECTION. STANDARD COLORS: ARCHITECTURAL BRONZE AND CLEAR ANODIZED ALUMINUM. CUSTOM COLORS ARE AVAILABLE.
5. UNIFYING CLIP SYSTEM FOR RIGID STRUCTURAL CONNECTION. AVAILABLE IN CLEAR POLYCARBONATE OR STAINLESS STEEL.
6. VERTICAL SUPPORT BUTTRESS. SIZED PER SYSTEM HEIGHT. COMPOSED OF BULLET RESISTANT GLAZING TO MATCH THE REST OF SYSTEM.

Project Name:

HORIZONTAL BAFFLE SYSTEM
TYPICAL DETAILS
COUNTINUOUS COUNTER

Total Security Solutions

935 Garden Lane
Fowlerville, Michigan 48836
866.947.8075 Fax: 517.223.0805

No.	Date	Description

These drawings and all information herein are of a confidential nature and remain the property of TOTAL SECURITY SOLUTIONS. No other drawings for any purpose, except by written permission of TOTAL SECURITY SOLUTIONS is strictly prohibited.

Designed By:

Drawn By:

Checked By:

Sheet Title:

PLAN / ELEVATION

Sheet Number:

A1