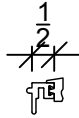
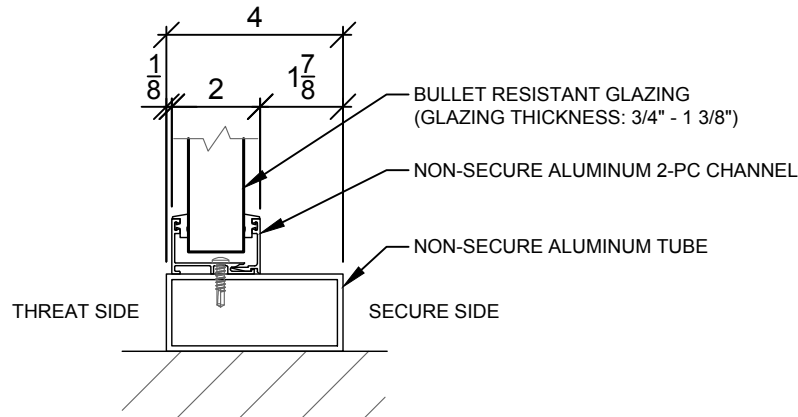


REDUCER REQUIRED FOR THINNER  
GLAZING BUILD-UP

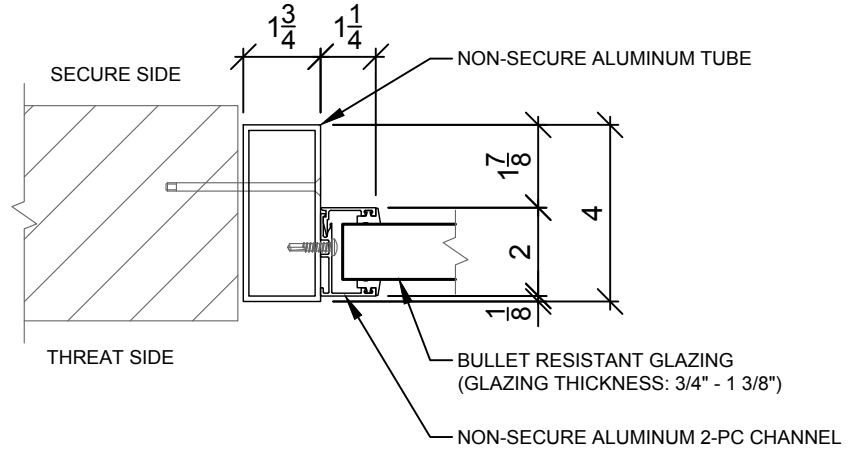


# TSS NON-SECURE FRAMING

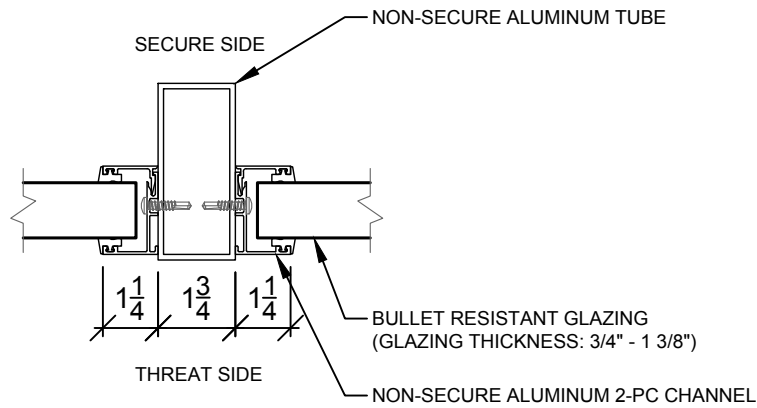
- OPTION TO LINE NON-SECURE ALUMINUM TUBE WITH U.L. 752 RATED LEVEL 1 FIBERGLASS
- OPTION TO LINE NON-SECURE ALUMINUM TUBE WITH U.L. 752 RATED LEVEL 2 FIBERGLASS
- OPTION TO LINE NON-SECURE ALUMINUM TUBE WITH U.L. 752 RATED LEVEL 3 & 6 FIBERGLASS



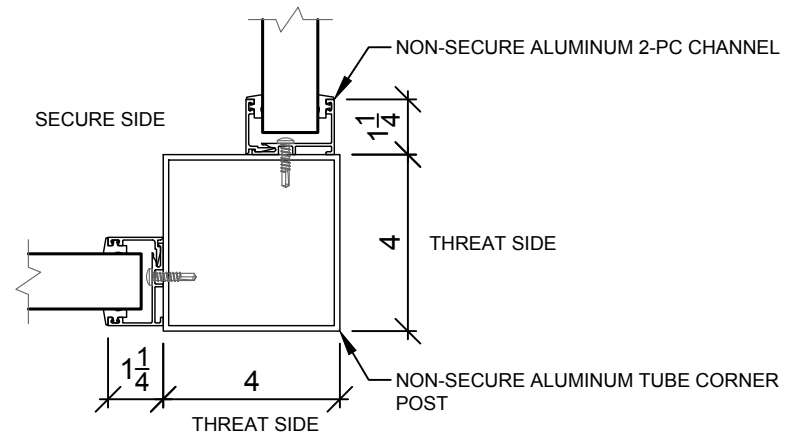
**1**  
A1 SILL DETAIL



**2**  
A1 JAMB/HEAD DETAIL



**3**  
A1 MULLION DETAIL



**4**  
A1 CORNER DETAIL

SHEET NUMBER: <b>A1</b>		JOB#:		<b>DETAIL</b>	
REVISIONS:		DESCRIPTION			
#	DATE	#	DATE		
A		A			
DATE: 11.30.17		DRAWN BY: JR		CHECKED BY:	
PROJECT NAME:		TSS NON-SECURE FRAMING DETAILS			
		FOR U.L. 752 LEVEL 1-3 & 6 GLAZING			
<small>The information in this drawing is confidential and is the exclusive property of TOTAL SECURITY SOLUTIONS. Written permission is required for reproduction or distribution from TOTAL SECURITY SOLUTIONS.</small>					
<b>Total Security Solutions</b> 170 National Park Drive Fowlerville, MI 48836 Phone: 517.223.7807 Fax: 517.223.0805 www.DemandTSS.com					
<b>TOTAL SECURITY SOLUTIONS</b>					