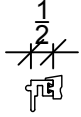
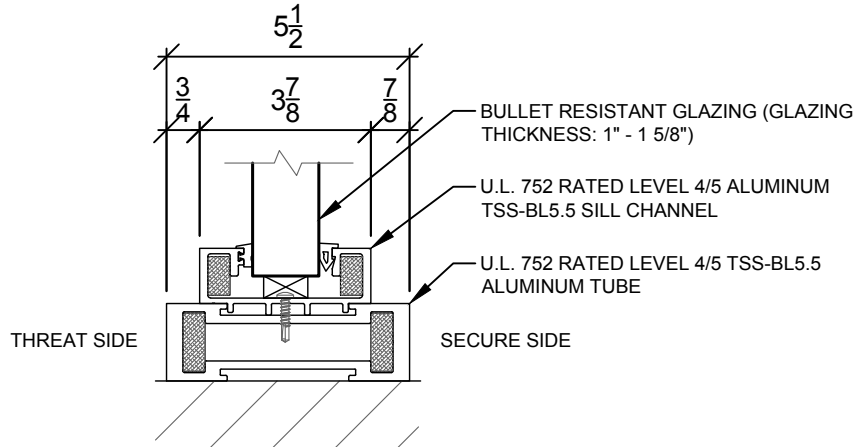


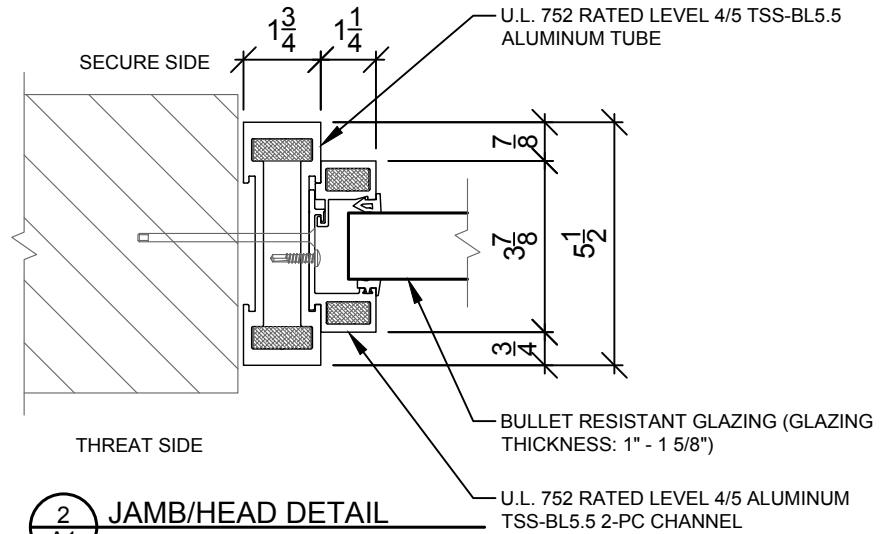
REDUCER REQUIRED FOR THINNER
GLAZING BUILD-UP



TSS-BL5.5 U.L. 752 LEVEL 4 & 5 FRAMING

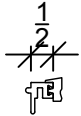


1
A1 SILL DETAIL

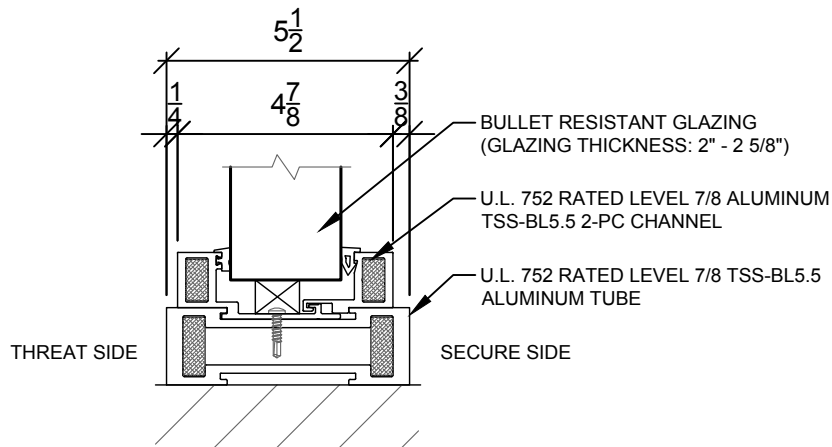


2
A1 JAMB/HEAD DETAIL

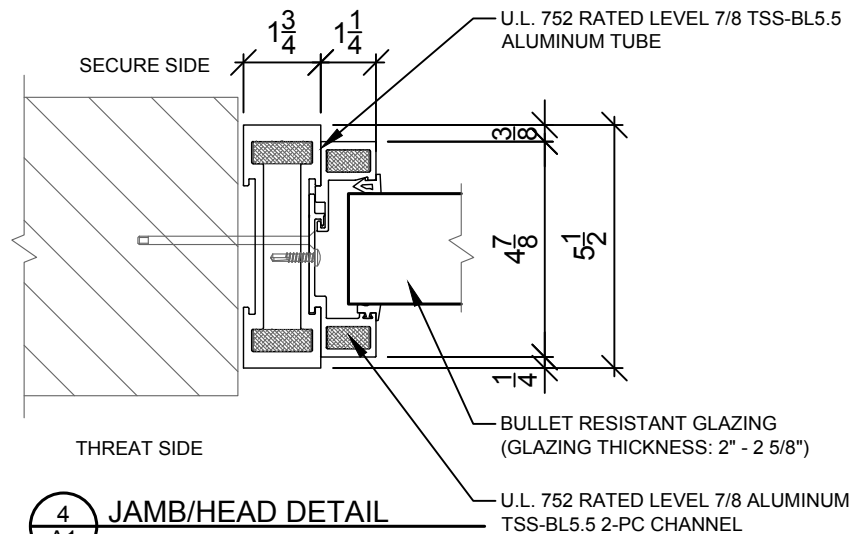
REDUCER REQUIRED FOR THINNER
GLAZING BUILD-UP



TSS-BL5.5 U.L. 752 LEVEL 7 & 8 FRAMING



3
A1 SILL DETAIL



4
A1 JAMB/HEAD DETAIL

SHEET NUMBER:	A1	
DATE:	11.30.17	
DRAWN BY:	JR	
ENG. BY:		
CHECKED BY:		
SHEET TITLE:	DETAILS	
REVISIONS:		
#	DATE	DESCRIPTION
A		
A		
A		
PROJECT NAME:	TSS BL5.5 FRAMING DETAILS FOR U.L. 752 LEVEL 4/5 & 7/8	

TSS BL5.5 FRAMING DETAILS
FOR U.L. 752 LEVEL 4/5 & 7/8

The information in this drawing is confidential. It is the property of TOTAL SECURITY SOLUTIONS. Written permission is required for reproduction and/or distribution from TOTAL SECURITY SOLUTIONS.

Total Security Solutions
935 Garden Lane
Fowlerville, MI 48836
Phone: 866.947.8075 Fax: 517.223.0805
www.tssbulletproof.com

TOTAL SECURITY SOLUTIONS