

## DESCRIPTION

Designed for heavy use applications, the Lazy Susan Package Passer is frequently used by pharmacies, fast food places and convenience stores, allowing packages to be passed through a barrier between customer and employee without a breach of security.

## FEATURES

- Delivered assembled, ready for installation
- Levels 1 through 3 ballistic glazing
- Through vision passer

## CONSTRUCTION

The Lazy Susan Package Passer is constructed from bullet resisting materials with outer shell in a rectangular box shape and openings at two sides. The Interior revolving three-sided radius unit is constructed from the same bullet resisting material plus a clear vision on the fourth side. The unit will revolve back and forth from customer side to secure side, providing package passer function. This unit has a ball bearing mechanism for easy rotation. The tops and bottoms are UHMW polymer. Hardware will be stainless steel including crank handle.

## GLAZING

Glazing materials shall be of a type listed by Underwriter's Laboratories Standard 752 for bullet resistance and/or tested by H.P. White Laboratory for specified bullet resistance. Bullet resisting protection level shall be as specified by end user and consistent with threat level.

## BALLISTIC AND FORCED ENTRY RATING

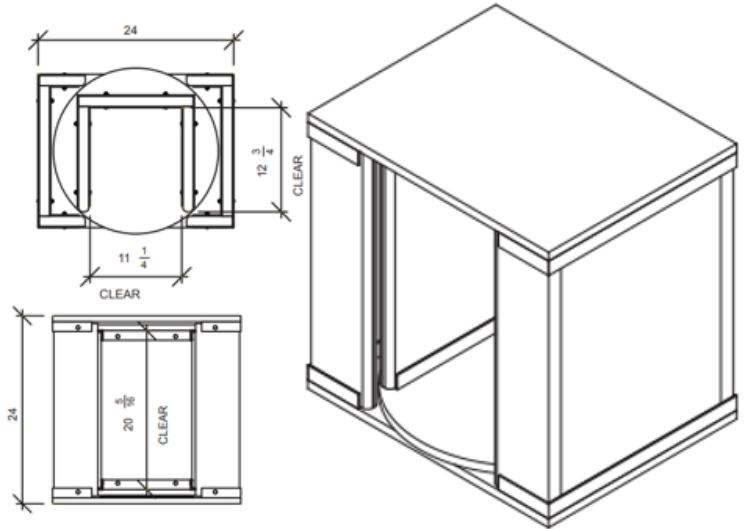
- U.L. Level 1 – 9 mm | 3 Shots | 1 1/4" Uncoated or AR Coated Acrylic
- U.L. Level 2 -- .357 Mag | 3 Shots | 1 3/8" AR Coated Acrylic
- U.L. Level 3 -- .44 Mag | 3 Shots | 1 1/4" LP 1250 Laminated

## SIZES

Typical Standard Size: Box OD 24" W x 24" H x 26" D

Custom sizes manufactured based on maximum package dimensions. Consult factory for unit sizing. Please contact our sales/engineering department for current pricing & delivery information.

## TSS LAZY SUSAN PACKAGE PASSER



## HANDLING INFORMATION

It is imperative to clean the glazing unit during and after the construction period to maintain optimum performance and aesthetic properties. To clean, use a soft, clean cloth and a mild soap, detergent, or slightly acidic cleaning solution (such as vinegar). Wipe with a clean, lint-free cloth.

## STANDARD WARRANTY

TSS offers a twelve month limited warranty. This warranty does not cover damage caused by neglect, abuse, vandalism, improper maintenance, accident or any other cause beyond the supplier's control not arising out of defects in material or workmanship. The warranties stated replace and exclude all other warranties. The warranty is limited to replacing products that fail to meet specification, or are defective in quality or workmanship at the time of delivery. TSS will not be responsible for (re)installation expenses or any direct or indirect loss(es) which may result from a defective product. TSS reserves the right to field inspect any product alleged to be defective. The buyer is responsible for any consequences resulting from product use.

## TECHNICAL SUPPORT

TSS maintains a full staff of professional and experienced sales representatives, project estimators, engineers, draftsmen, craftsmen and installers ready to assist in all phases of the bullet resistant project from initial design through installation. Consult sales department or your local representative for assistance with all your bullet resistant needs at 1.517.223.7807.