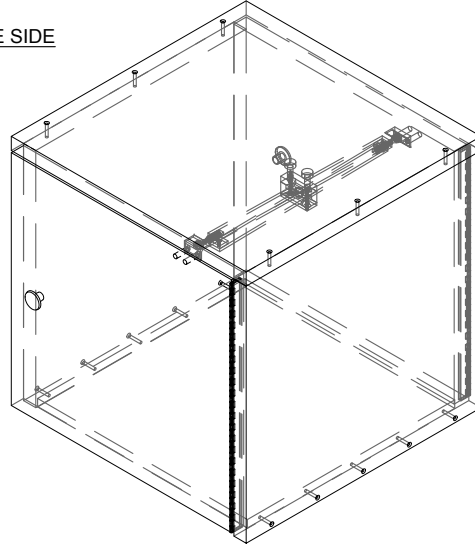


SECURE SIDE



THREAT SIDE



**Total Security Solutions**  
 170 National Park Drive  
 Fort Worth, TX 76102  
 Phone: 517.223.7807 Fx: 517.223.0805  
 www.DemandTSS.com

The information in this drawing is confidential. It is the property of TOTAL SECURITY SOLUTIONS. Writing for reproduction and/or distribution without the written consent of TOTAL SECURITY SOLUTIONS is prohibited.

PROJECT NAME:  
**24 X 24 X24 PACKAGE EXCHANGER**

DATE: 2.15.18  
 DRAWN BY: BDJ  
 ENG. BY:  
 CHECKED BY:

SHEET TITLE:  
**DETAILS**  
 REVISIONS:  
 # | DATE | DESCRIPTION

SHEET NUMBER:  
**A1**  
 JOB#:  
**SALES**