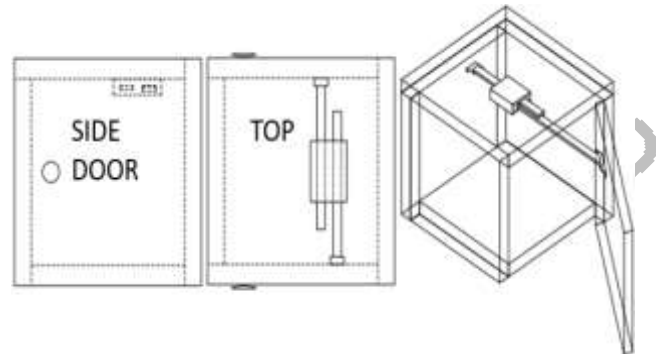


PRODUCT DESCRIPTION

The PE package passer consists of a rectangular box built from transparent bullet resistant glazing material, with doors on the customer and employee sides. A mechanical interlocking mechanism prevents the opening of both doors simultaneously, allowing small packages to be passed through a barrier without a breach of security. The PE is designed for moderate to frequent use, long service life, low cost, and little or no maintenance. For applications requiring the passage of large to very large packages, people, or equipment, contact our sales/ engineering department for more information.

TSS ACRYLIC PE PACKAGE EXCHANGER



FEATURES

- Wide range of sizes available
- Black laminate base is standard
- Delivered assembled, ready for installation
- Levels 1 through 3 ballistic options
- Only one door can be opened at a time
- Full vision through passer

GLAZING

Glazing materials shall be of a type listed by Underwriter's Laboratories Standard 752 for bullet resistance and/or tested by H.P. White Laboratory for specified bullet resistance. Bullet resisting protection level shall be as specified by end user and consistent with threat level.

SIZES

Typical Standard Size: Box OD 14" W x 14" H x 14" D

Typical Large Size: Box OD 16" W x 16" H x 16" D

Custom sizes manufactured based on maximum package dimensions. Consult factory for unit sizing. Please contact our sales/engineering department for current pricing & delivery information.

BALLISTIC OPTIONS

UL Level 1: 9 mm | 3 Shots | 1 1/4" Uncoated & Coated AR Acrylic

UL Level 2: .357 Mag | 3 Shots | 1 3/8" Coated AR Acrylic

UL Level 3: .44 Mag | 3 Shots | 1 1/4" LP 1250 Laminated

MARKETS SERVED

| Financial Institutions | Convenience Store | Pharmacies | Law Enforcement Facilities | Other "At Risk" Facilities |

TECHNICAL SUPPORT

TSS maintains a full staff of professional and experienced sales representatives, project estimators, engineers, draftsmen, craftsmen and installers ready to assist in all phases of the bullet resistant project from initial design through installation. Consult sales department or your local representative for assistance with all your bullet resistant needs at 1.517.223.7807.

CONSTRUCTION

The PE package exchange system constructed of bullet resisting transparent acrylic or polycarbonate material in a box shape. The PE has two hinged doors controlled by an interlocking mechanism. The interlocking mechanism allows for only one door to open at a time, preventing breaches in security. Standard base is built from particle board, and finished with black polymer laminate covering. This unit is constructed using 1/4-20 steel machine screws.

HANDLING INFORMATION

- Handling: Care should be exercised during shipping and handling to maintain package passer appearance.
- Storage: Store upright in a dry, well ventilated building or shelter at a constant temperature. Do not store in damp areas or freshly plastered buildings. Place unit on wood blocks at least 2" high to prevent moisture damage.
- Application: Remove from protective container just prior to installation. Care should be exercised when installing window to insure that installation is level, plumb, square and secure.
- Cleaning: You must clean the glazing unit during and after the construction period to maintain optimum performance and aesthetic properties. To clean, use a soft, clean cloth and a mild soap, detergent, or slightly acidic cleaning solution (such as vinegar). Wipe with a clean, lint-free cloth.

STANDARD WARRANTY

TSS offers a twelve month limited warranty. This warranty does not cover damage caused by neglect, abuse, vandalism, improper maintenance, accident or any other cause beyond the supplier's control not arising out of defects in material or workmanship. The warranties stated replace and exclude all other warranties. The warranty is limited to replacing products that fail to meet specification, or are defective in quality or workmanship at the time of delivery. TSS will not be responsible for (re)installation expenses or any direct or indirect loss(es) which may result from a defective product. TSS reserves the right to field inspect any product alleged to be defective. The buyer is responsible for any consequences resulting from product use.

TOTAL SECURITY SOLUTIONS

P: 517.223.7807 | info@tssbulletproof.com | F. 517.223.0805 | 935 Garden Lane, Fowlerville, MI

Proprietary information not for public distribution