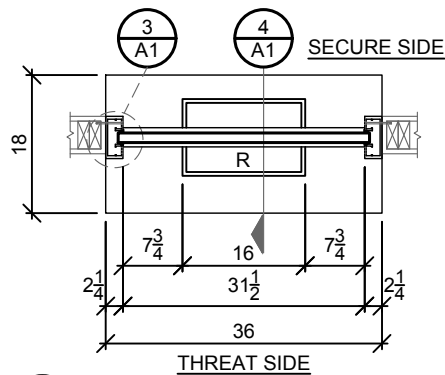
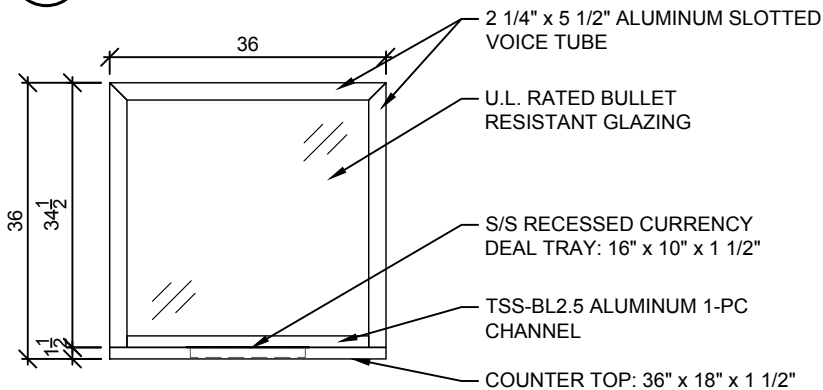


APPROVAL REQUIRED	PLEASE VERIFY	DRAWING NOTES
<input type="checkbox"/> APPROVED AS DRAWN	1. PLEASE SELECT ALUMINUM ANODIZE COLOR: <input type="checkbox"/> CLEAR <input type="checkbox"/> DARK BRONZE	1. THIS WILL BE FABRICATED & SHIPPED TO THE EXACT DIMENSION SHOWN.
<input type="checkbox"/> APPROVED AS NOTED	2. PLEASE SELECT GLAZING RATING: <input type="checkbox"/> U.L. LEVEL 1 <input type="checkbox"/> U.L. LEVEL 2 <input type="checkbox"/> U.L. LEVEL 3	2. ALL DIMENSIONS MUST BE APPROVED, SIGNED, DATED, OR OTHERWISE NOTED ON THIS DRAWING BEFORE FABRICATION CAN BEGIN.
<input type="checkbox"/> REJECTED	3. PLEASE SELECT GLAZING MATERIAL TYPE: <input type="checkbox"/> UNCOATED ACRYLIC (LVL 1 & 2 ONLY) <input type="checkbox"/> ABRASION RESISTANT ACRYLIC (LVL 1 & 2 ONLY) <input type="checkbox"/> LAMINATED POLYCARB./ACRYLIC (LVL 1,2, & 3) <input type="checkbox"/> GLASS CLAD POLYCARBONATE (LVL 1,2, & 3)	3. FINISHED OPENING SIZE: 36 1/4" x 36 1/4".
SIGNATURE: _____	4. PLEASE SELECT COUNTER TOP MATERIAL: <input type="checkbox"/> BLACK PLASTIC LAMINATE <input type="checkbox"/> 18 GA. S/S - #4 FIN.	4. VOICE PORT WILL BE CENTERED IN UNIT, UNLESS OTHERWISE SPECIFIED (TYP. 60" A.F.F.).
DATE: _____		5. ALUMINUM COLOR MUST BE SPECIFIED FOR THE ENGINEERING TO BEGIN.
		* IN THE EVENT OF CONFLICTS OR DISCREPANCIES AMONG THE CONTRACT DOCUMENTS, INTERPRETATIONS WILL GIVE PRIORITY TO THE TOTAL SECURITY SOLUTIONS APPROVAL DRAWINGS OVER THE PROPOSAL OR ANY OTHER DOCUMENT PROVIDED OR INCLUDED IN THE AGREEMENT.

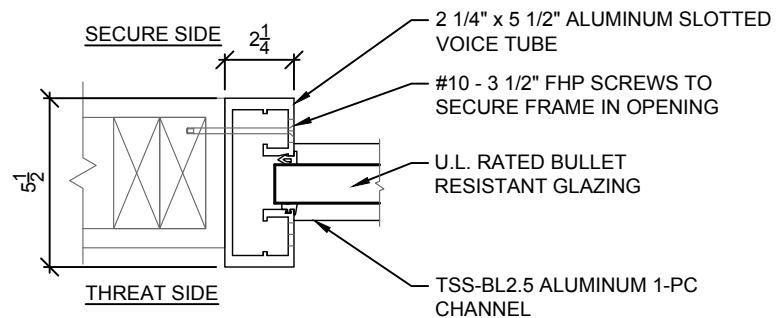
() UNIT(S) REQUIRED



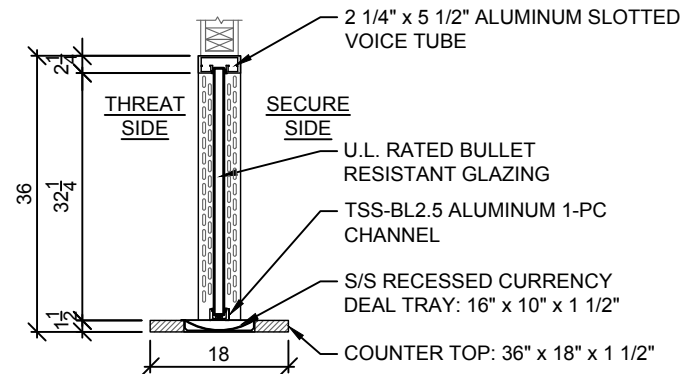
1 PLAN
A1



2 ELEVATION
A1



3 DETAIL
A1



4 SECTION
A1

SHEET NUMBER:	A1
PROJECT NAME:	SLOTTED VOICE AROUND INTERIOR TRANSACTION WINDOW WITH COUNTER TOP & S/S RECESSED DEAL TRAY
DATE:	01.01.12
DRAWN BY:	XXX
ENG. BY:	YYY
CHECKED BY:	XX
DETAILS	
REVISIONS:	
DATE	DESCRIPTION

The information in this drawing is confidential and is the property of TOTAL SECURITY SOLUTIONS. When reproduced or used for any other purpose without the written permission of TOTAL SECURITY SOLUTIONS, the user agrees to indemnify and hold TOTAL SECURITY SOLUTIONS harmless from any and all claims, damages, and expenses, including reasonable attorneys' fees, that may be asserted against or incurred by TOTAL SECURITY SOLUTIONS or its affiliates, agents, contractors, owners, or users of the drawing.

Total Security Solutions
 935 Garden Lane
 Fowlerville, MI 48836
 Phone: 866.947.8075 Fax: 517.223.0805
 www.tssbulletproof.com

TOTAL SECURITY SOLUTIONS