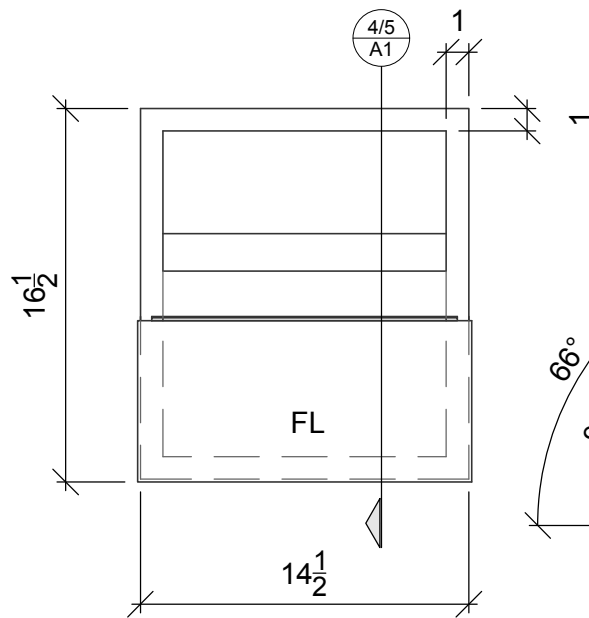
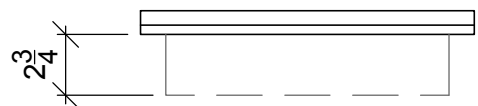


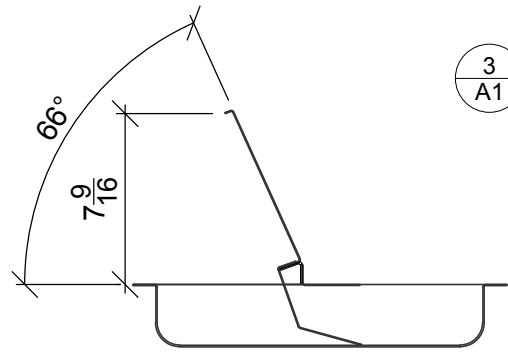
**AVAILABLE SIZES**  
 - 14 1/2" x 16 1/2" X 2 3/4"



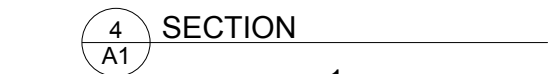
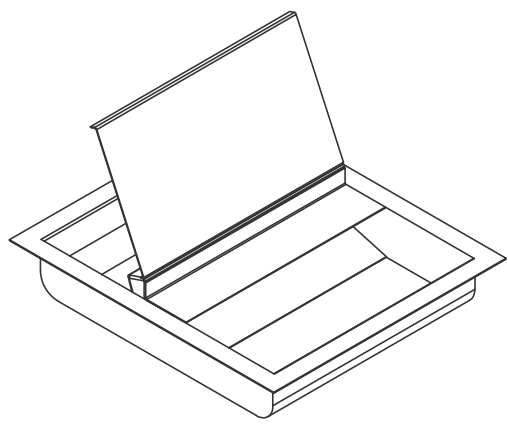
1 PLAN  
A1



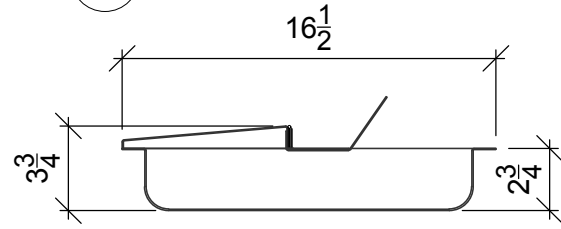
2 ELEVATION  
A1



3 ISOMETRIC VIEW  
A1

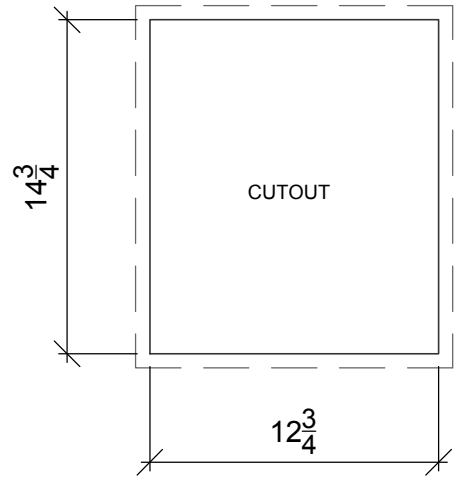


4 SECTION  
A1



5 SECTION  
A1

INSTALL RECESSED CASH TRAY  
 BY ROUTING OUT A HOLE IN THE  
 COUNTERTOP (AS DETAILED)



CUT OUT SIZE: 12 3/4" x 14 3/4"

<b>Total Security Solutions</b> 935 Garden Lane Fowlerville, MI 48836 Phone: 866.947.8075 Fax: 517.223.0805 www.tssbulletproof.com	PROJECT NAME: <b>RECESSED FLIP LID DEAL TRAY</b> 14 1/2" x 16 1/2" x 2 3/4"	SHEET TITLE: <b>DETAILS</b>	SHEET NUMBER: <b>A1</b>
	The information in this drawing is confidential. It is the property of TOTAL SECURITY SOLUTIONS. Written reproduction and/or distribution without the written consent of TOTAL SECURITY SOLUTIONS is prohibited.	DATE: 1.11.18 DRAWN BY: SRK ENG. BY: CHECKED BY:	REVISIONS: # DATE DESCRIPTION A A