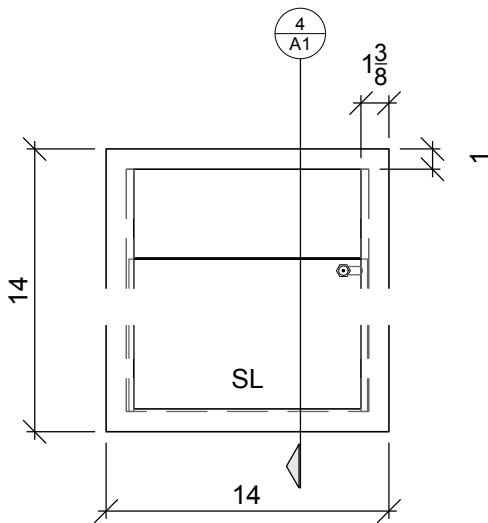


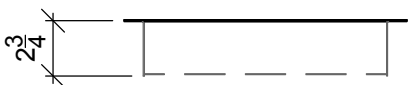
FEATURES

- Wide range of sizes available
- Welded stainless steel construction
- No exposed fasteners
- Easy installation

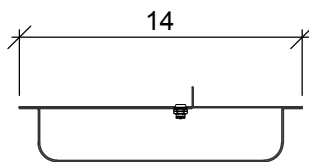
RECESSED SLIDING LID CASH TRAY



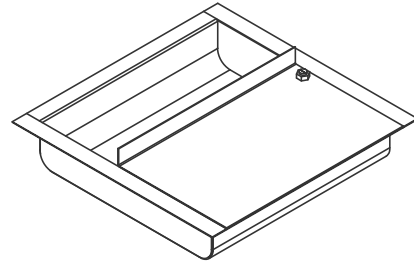
1
A1 PLAN



2
A1 ELEVATION

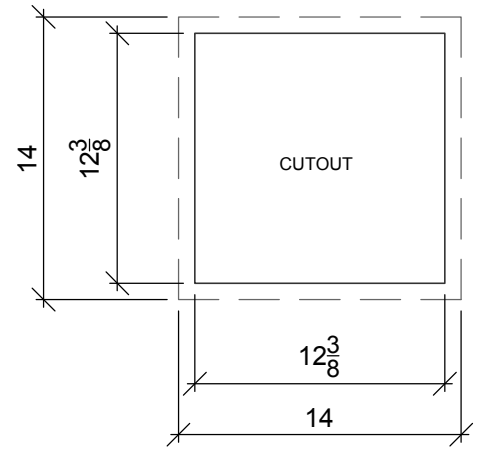


4
A1 SECTION



3
A1 ISOMETRIC VIEW

INSTALL RECESSED CASH TRAY
BY ROUTING OUT A HOLE IN THE
COUNTERTOP (AS DETAILED)



CUT OUT SIZE: 12 3/8" x 12 3/8"

STANDARDS

The deal tray is easily installed on new or existing counters. The tray is constructed of 18 GA Stainless steel with a #4 brushed satin finish, all joints welded and ground smooth.

- Installed flush with counter top
- Brushed stainless steel finish
- Sliding lockable cover

SIZES

14" x 14" x 2-3/4"

Custom sizes available.

TOTAL **SECURITY** SOLUTIONS

P: 866.947.8075 | info@tssbulletproof.com | F: 517.223.0805 | 935 Garden Lane, Fowlerville MI