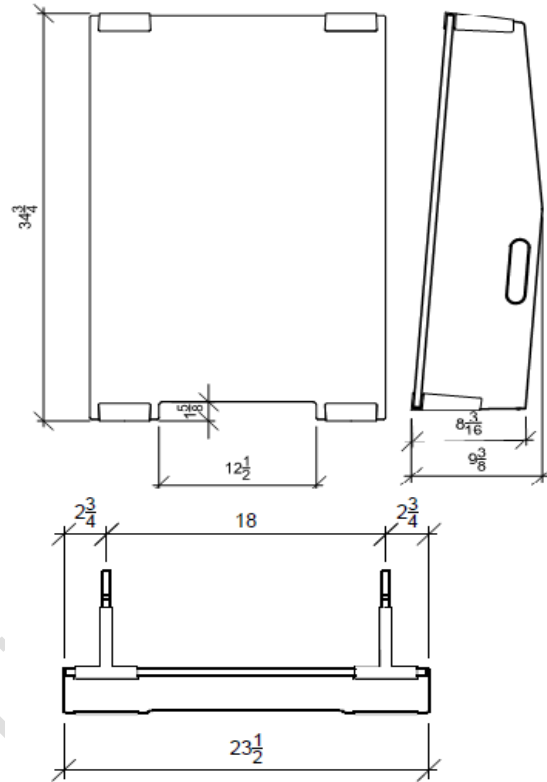




The TSS VirusGuard – Mobile Barrier is designed to create a physical, yet optically clear barrier between individuals and can be assembled in minutes using snap-lock clips. The standard size offers a 12 1/2 x 1 1/2 inch passer space and is designed to sit on counter spaces 42 inches high, allowing individuals up to 6' 4" tall, complete coverage. The translucent barrier system is self-stabilizing and completely mobile, offering hand grips to move the barrier with ease. These barriers also come with a two-sided tape solution to secure the barrier to a countertop.

STANDARD DIMENSIONS



DISCLAIMER AND CLEANING INSTRUCTIONS

System does not provide any anti-microbial functions and is simply a transparent physical barrier designed to block the spray of bodily fluids such as human sneezes and coughs. This system should be cleaned regularly to avoid bacteria build up with isopropyl alcohol diluted with water to ~30% strength. To improve clarity, use a soft, clean cloth and a mild soap, detergent, or slightly acidic cleaning solution (such as vinegar). Wipe with a clean, lint-free cloth. Avoid ammonia-based products (Windex™).

STANDARD WARRANTY

12-month limited warranty. Does not cover damage from neglect, abuse, vandalism, improper maintenance, or any other cause not arising out of defects in material or workmanship. The warranties stated replace and exclude all other warranties. The warranty is limited to replacing products that fail to meet specification, defective in quality, or workmanship at time of delivery. TSS is not responsible for (re)installation expenses or any direct or indirect loss or losses which may result from a defective product. TSS reserves the right to field inspect any product alleged to be defective. Buyer is responsible for any consequences from product use.

PROPERTIES & SPECIFICATIONS

Protection	Physical Material Barrier Between Individuals
Height x Width x Depth (Inches)	34 1/2 X 23 1/2 X 8 3/16
Passer Space	12 1/2 X 1 5/8
Material	Acrylic
Light Transmission	>90%
Nominal Material Thickness	1/2"
Weight	25.6 lbs