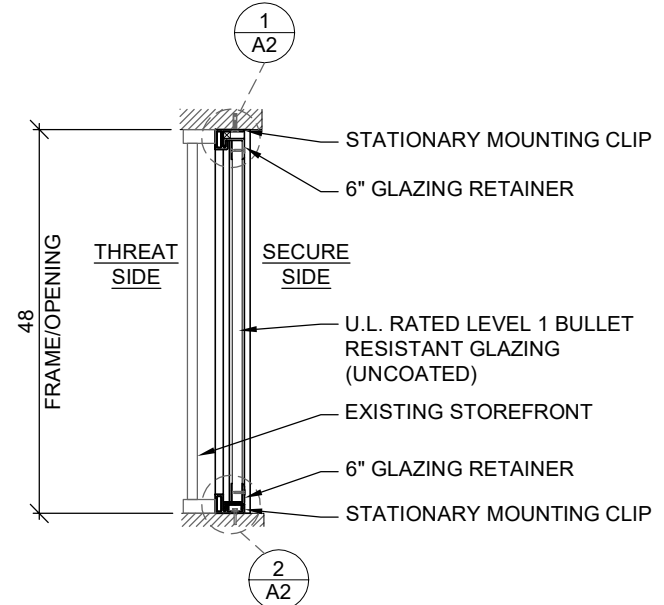
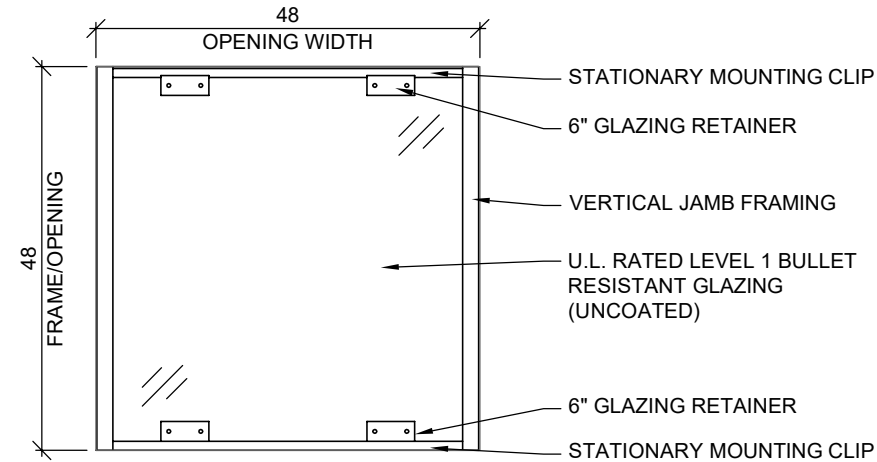
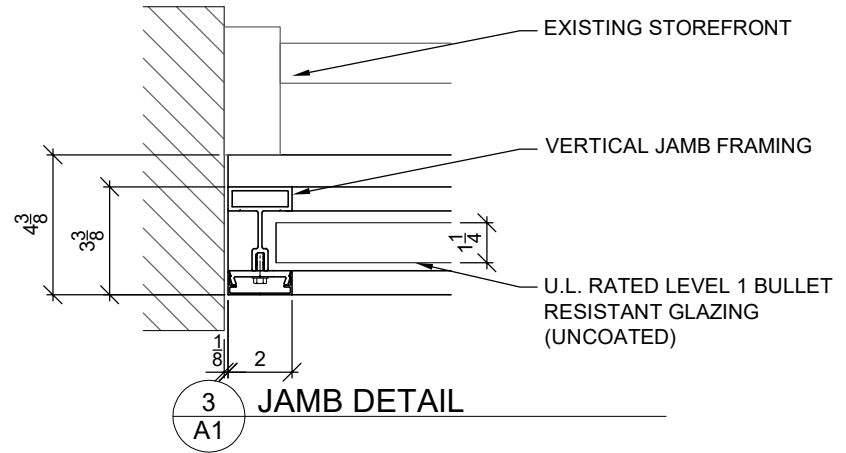
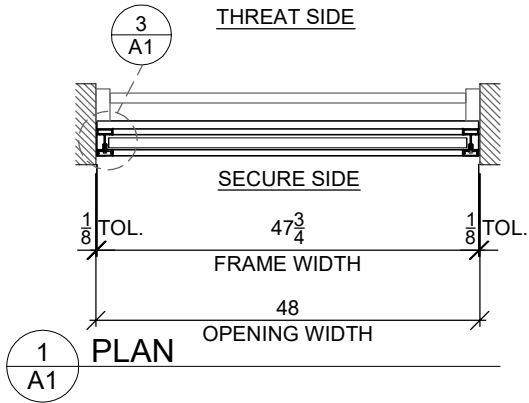


(1) UNIT(S) REQUIRED

DRAWING NOTES

1. FINISHED OPENING SIZE: 48" x 48".

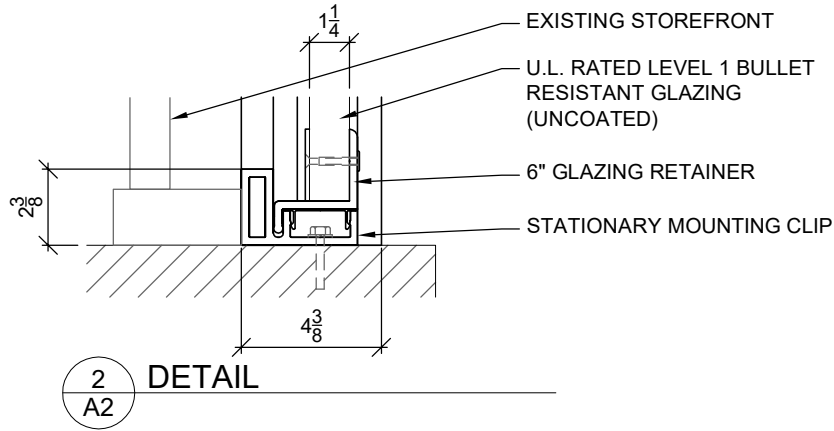
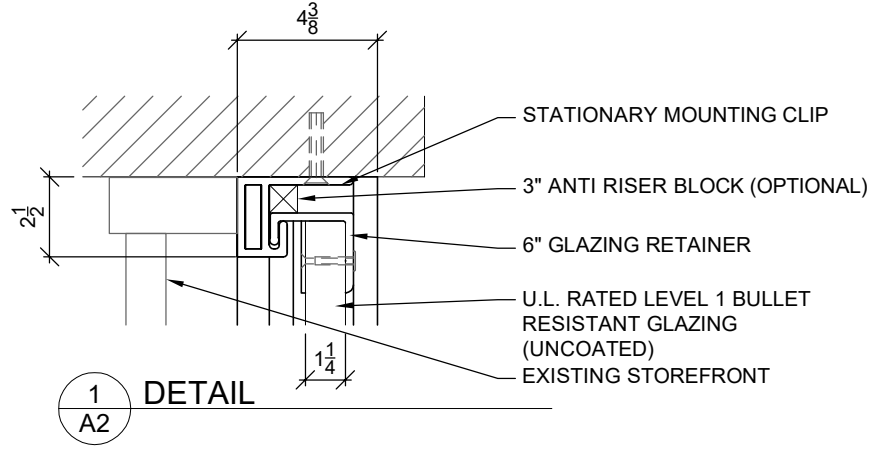
* IN THE EVENT OF CONFLICTS OR DISCREPANCIES AMONG THE CONTRACT DOCUMENTS, INTERPRETATIONS WILL GIVE PRIORITY TO THE TOTAL SECURITY SOLUTIONS APPROVAL DRAWINGS OVER THE PROPOSAL OR ANY OTHER DOCUMENT PROVIDED OR INCLUDED IN THE AGREEMENT.



PROJECT NAME: PROJECT NAME#1? PROJECT NAME#2? ADDRESS#1? ADDRESS#2?	DATE: 01.01.12	SHEET NUMBER: A1
	DRAWN BY: XXX	REVISIONS: # DATE DESCRIPTION
<p>The information in this drawing is the exclusive property of TOTAL SECURITY SOLUTIONS. No reproduction or use without permission is allowed without the approval of TOTAL SECURITY SOLUTIONS.</p>		JOB#: ####
<p>Total Security Solutions 935 Garden Lane Fowlerville, MI 48836 Phone: 517.223.7807 Fax: 517.223.0805 www.TSSBulletProof.com</p>		CHECKED BY: XX
TOTAL SECURITY SOLUTIONS		

DRAWING NOTES

* IN THE EVENT OF CONFLICTS OR DISCREPANCIES AMONG THE CONTRACT DOCUMENTS, INTERPRETATIONS WILL GIVE PRIORITY TO THE TOTAL SECURITY SOLUTIONS APPROVAL DRAWINGS OVER THE PROPOSAL OR ANY OTHER DOCUMENT PROVIDED OR INCLUDED IN THE AGREEMENT.



PROJECT NAME:		PROJECT NAME#1?		PROJECT NAME#2?		ADDRESS#1?		ADDRESS#2?	
DATE: 01.01.12		DRAWN BY: XXX		ENG. BY: YYY		CHECKED BY: XX		DATE: 01.01.12	
REVISIONS:		REVISIONS:		REVISIONS:		REVISIONS:		REVISIONS:	
DESCRIPTION:		DESCRIPTION:		DESCRIPTION:		DESCRIPTION:		DESCRIPTION:	
JOB#:		JOB#:		JOB#:		JOB#:		JOB#:	
SHEET NUMBER:		SHEET NUMBER:		SHEET NUMBER:		SHEET NUMBER:		SHEET NUMBER:	
A2		A2		A2		A2		A2	
####		####		####		####		####	

The information in this drawing is the exclusive property of TOTAL SECURITY SOLUTIONS. No reproduction or use without permission is required for TOTAL SECURITY SOLUTIONS.

Total Security Solutions
 935 Garden Lane
 Fowlerville, MI 48836
 Phone: 517.223.7807 Fax: 517.223.0805
 www.TSSBulletProof.com



MULTIPLE WINDOWS W/ CENTER MULLION

THREAT SIDE

